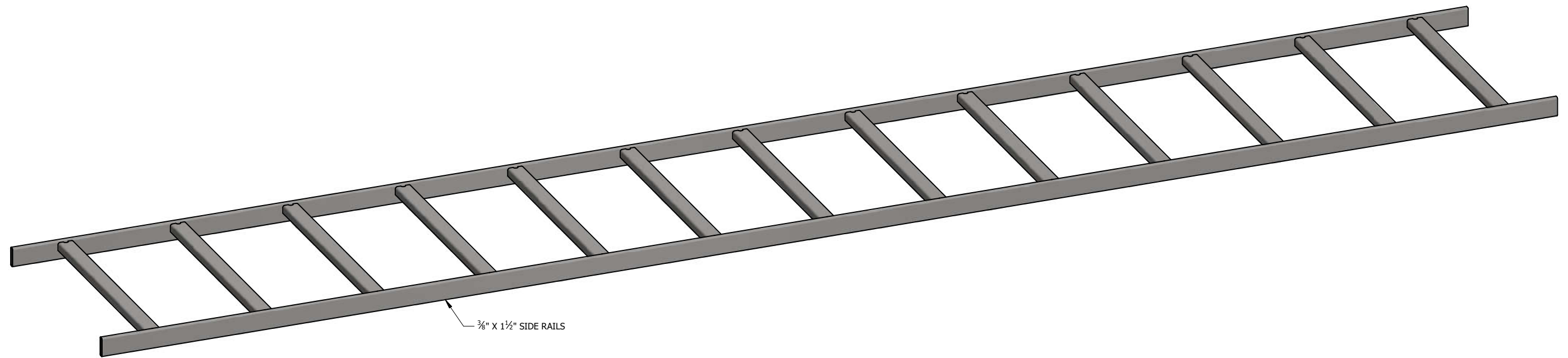


TOP VIEW



THIS DESIGN AND INFORMATION CONTAINED ON THIS PRINT IS THE PROPERTY OF VALLEY FAB CORPORATION. ANY REPRODUCTION, DUPLICATION OR TRANSFER OF THE PROPRIETARY CONTENT IS PROHIBITED WITHOUT WRITTEN PERMISSION.

<b>STANDARD TOLERANCES:</b> (UNLESS OTHERWISE NOTED) FRACTIONS ±1/16" DECIMALS ±0.01" ANGLES ±0.5°	<b>NEWAVE</b> TOWER COMPONENTS, 503-792-3739 10910 PORTLAND RD. BROOKS, OR 97305	TOTAL WT: 29.05 LB QTY: FINISH: YELLOW ZINC JOB #:
--	--	---

TITLE:	CABLE RUNWAY 18" WIDE X 9'-8-1/2" LADDER STYLE	DRAWN BY: KY	DATE: 3/9/2023	CHK'D BY: -
SERIES:	SITE ACCESSORIES	SHEET: 2 OF 2		SB1718YZ

REV	BY	DESCRIPTION	DATE
A	KY	SEE MODEL IPROPERTIES/COMMENTS	1/5/2024