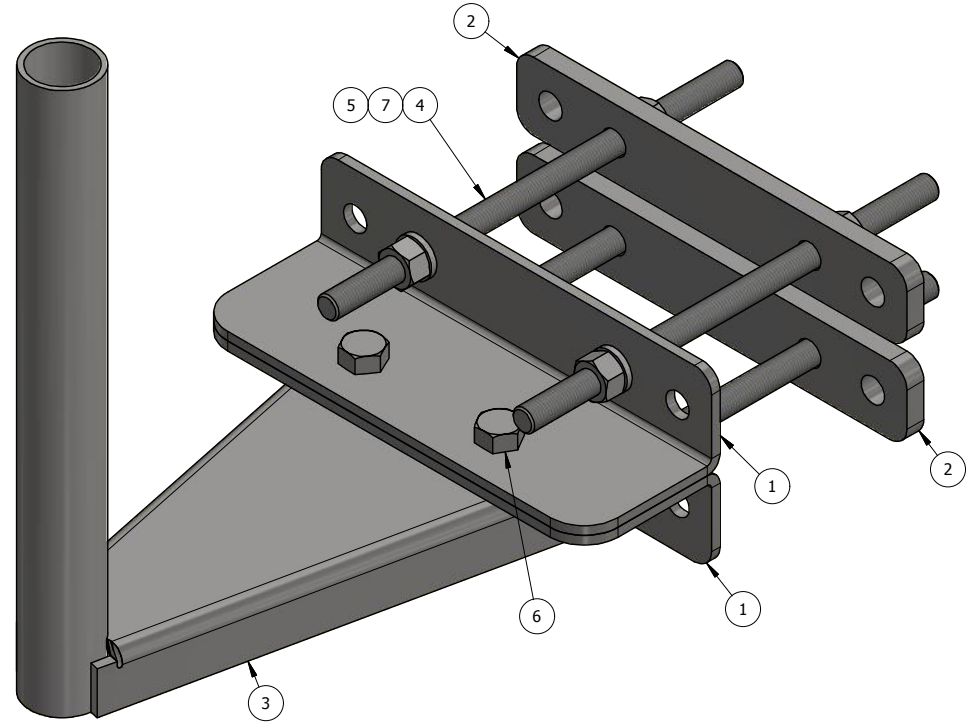
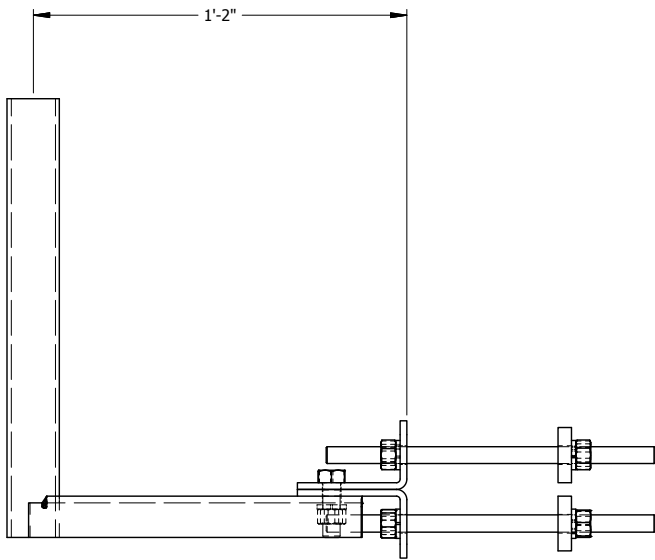
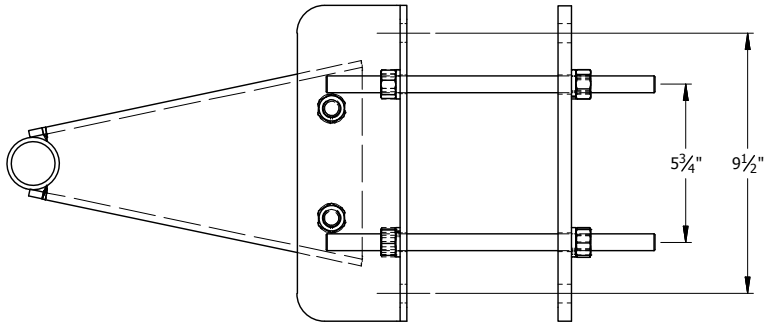


| ITEM | PART # | DESCRIPTION | QTY | MASS |
|------|-------------|---|-----|------|
| 1 | AM1029-U.01 | UNIVERSALTOWER LEG "L" BENT MOUNT PLATE | 2 | 4.81 |
| 2 | SCAM-101.01 | 1/2" CLAMP PLATE | 2 | 3.02 |
| 3 | SCAM-102.01 | BRACKET WELDMENT W/ 1 1/2" STD PIPE | 1 | 9.70 |
| 4 | TR58-12 | 5/8" x 12" A36 HDG ALL-THREAD | 4 | 1.04 |
| 5 | 27-5380-005 | 5/8" HDG LOCK WASHER | 10 | 0.03 |
| 6 | 27-4403-005 | 5/8 x 2 GR.5 HDG BOLT | 2 | 0.27 |
| 7 | 27-5391-005 | 5/8" HDG HEX NUT | 10 | 0.08 |



QTY:
CHK:

STANDARD TOLERANCES:
(UNLESS OTHERWISE NOTED)
FRACTIONS ±1/16"
DECIMALS ±.005"
ANGLES ±.5°

THIS DESIGN AND INFORMATION CONTAINED ON THIS PRINT IS THE PROPERTY OF NEWAVE TOWER COMPONENTS LLC. ANY REPRODUCTION, DUPLICATION OR TRANSFER OF THE PROPRIETARY CONTENT IS PROHIBITED WITHOUT WRITTEN PERMISSION.

NEWAVE
Tower Components. 503-792-3739
10910 PORTLAND RD. BROOKS, OR 97305

MATERIAL: AS SHOWN
HOLES: AS SHOWN
FINISH: HDG
DRAWN BY: RJ
CHECKED BY: KY
DATE: 1/7/2013

TITLE: UNIVERSAL MOUNT
14" STAND-OFF FROM TOWER
SERIES: WOODPOLE MOUNTING
PART WT (BARE): 15.5 LB
DRAWING NO. SCAM-101
SHEET: 1 OF 1