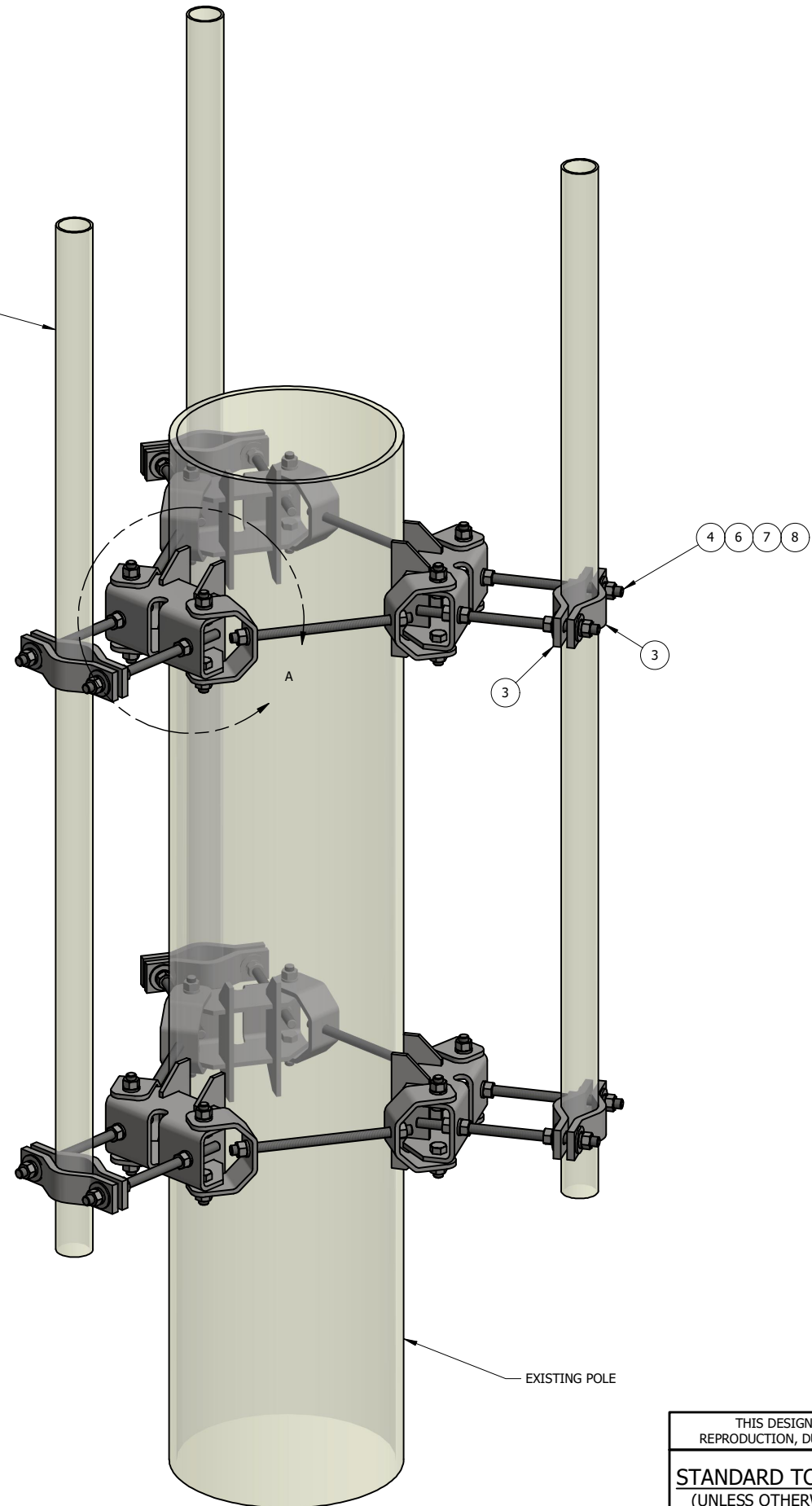
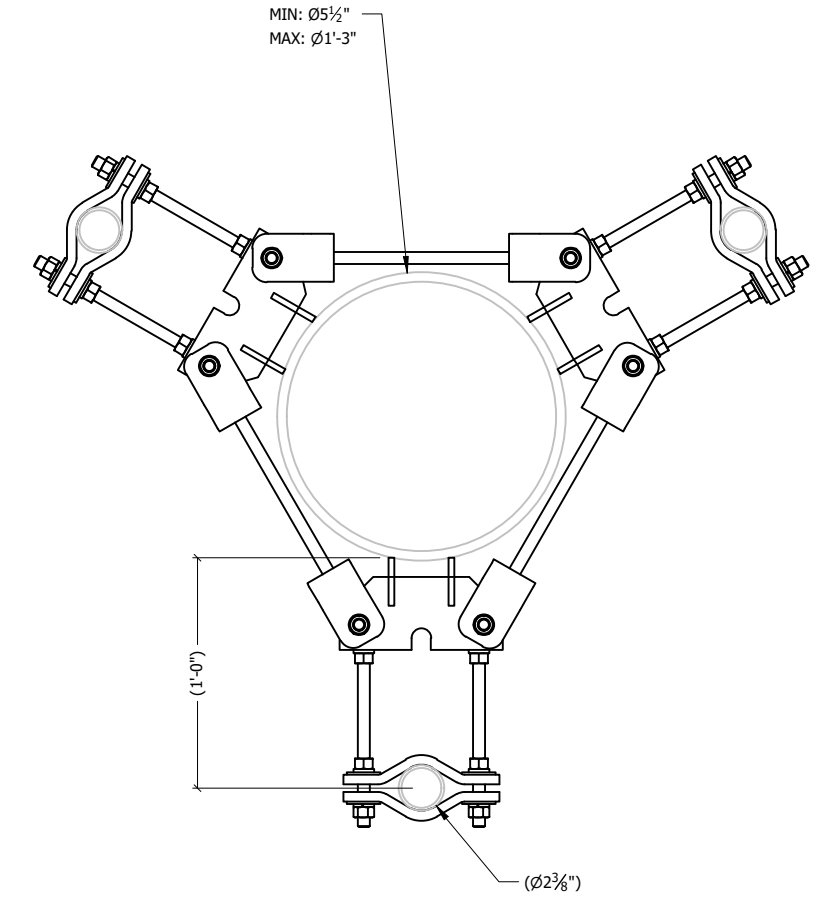


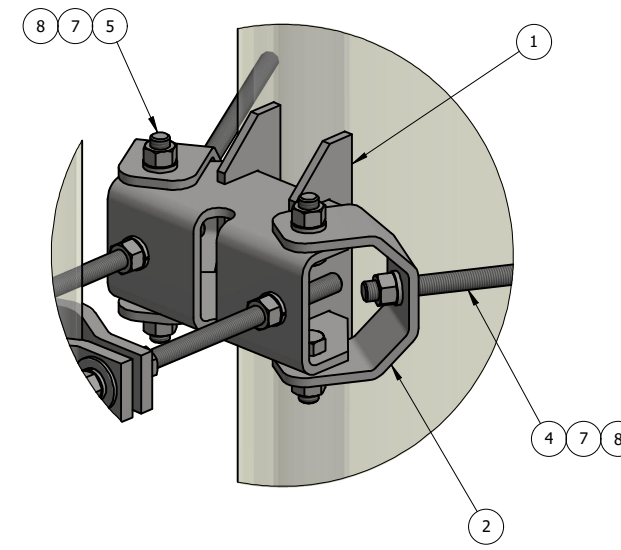
ANTENNA PIPE  
SOLD SEPARATE



EXISTING POLE



TOP VIEW



DETAIL - A

THIS DESIGN AND INFORMATION CONTAINED ON THIS PRINT IS THE PROPERTY OF VALLEY FAB CORPORATION. ANY REPRODUCTION, DUPLICATION OR TRANSFER OF THE PROPRIETARY CONTENT IS PROHIBITED WITHOUT WRITTEN PERMISSION.

**STANDARD TOLERANCES:**  
(UNLESS OTHERWISE NOTED)  
FRACTIONS ±1/16"  
DECIMALS ±0.01"  
ANGLES ±0.5°

**NEWAVE**  
TOWER COMPONENTS, 503-792-3739  
10910 PORTLAND RD. BROOKS, OR 97305

TOTAL WT: 149.75 LB  
QTY:  
FINISH:  
JOB #:

ITEM	PART #	QTY	DESCRIPTION	LENGTH	FINISH	UNIT WT
1	SCAM-108.01	6	SMALL CELL, ANTENNA MOUNT		HDG	9.82
2	SCAM-108.04	12	5/16" PLATE		HDG	2.34
3	AMCS-5.01	12	1/2" PLATE		SEE W/O	2.25
4	TR58-12	18	5/8" x 12" A36 HDG ALL-THREAD	1'		1.04
5	27-4402-005	24	5/8" x 1 3/4" GR.5 HDG BOLT			0.25
6	27-5370-005	24	5/8 A36 HDG FLAT WASHER			0.08
7	27-5380-005	84	5/8 HDG LOCK WASHER			0.03
8	27-5391-005	84	5/8" HDG HEX NUT			0.08

TITLE: 3-SECTOR SMALL CELL, ANTENNA MOUNT  
12" STAND-OFF, FITS 5-1/2" TO 15" O.D ROUND

SERIES: SMALL CELL ANTENNA MOUNT SHEET: 1 OF 1

DRAWN BY: KY DATE: 2/8/2023 CHK'D BY: -  
DRAWING NO. SCAM-108