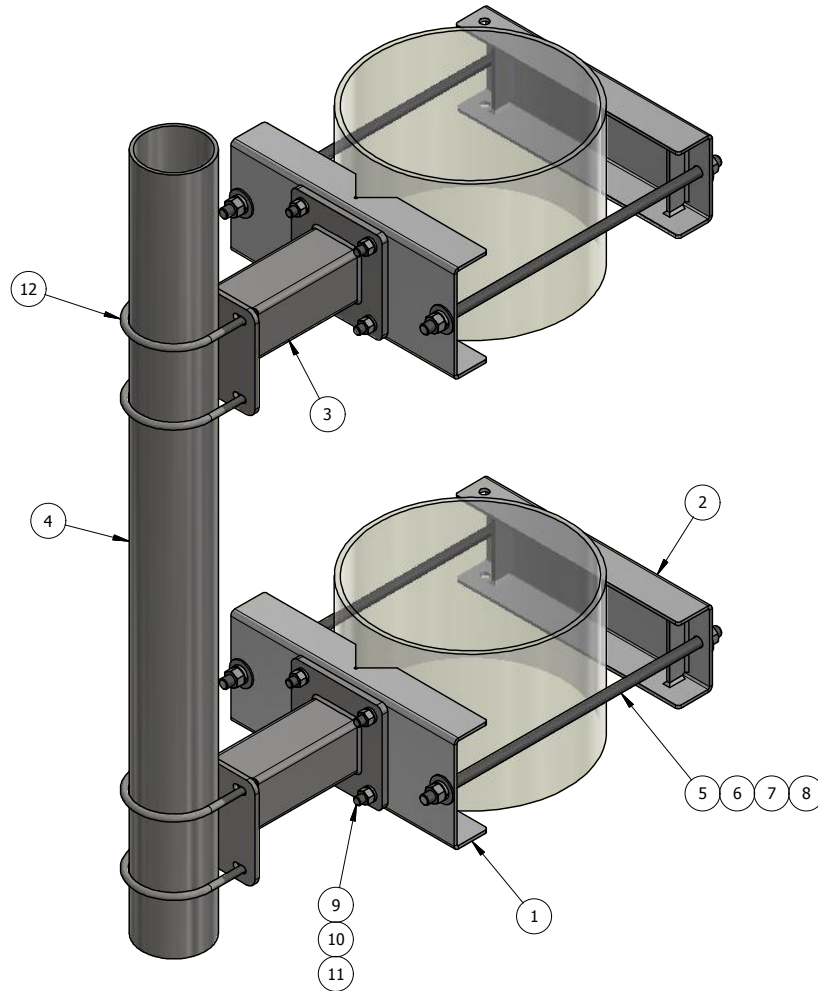


ITEM	PART #	DESCRIPTION	QTY	UNIT WT
1	AMSB-17.01	17" CHANNEL CLAMP WELDMENT	2	20.38
2	AM1028-17U.03	OUTSIDE ADJUSTABLE 17" CHANNEL CLAMP WELDMENT	2	17.86
3	SDM.01	SAT DISH 12" STAND OFF WELDMENT	2	23.08
4	P556-60	5" STD PIPE @ 5'-0" LONG	1	73.16
5	27-5580-005	3/4" x 26" B7 HDG ALL-THREAD	4	3.26
6	27-5481-005	3/4" A36 HDG FLAT WASHER	8	0.09
7	27-5490-005	3/4" HDG LOCK WASHER	8	0.05
8	27-5501-005	3/4" HDG HEX NUT	8	0.14
9	27-4403-005	5/8" x 2" GR.5 HDG BOLT	8	0.27
10	27-5380-005	5/8" HDG LOCK WASHER	8	0.03
11	27-5391-005	5/8" HDG HEX NUT	8	0.08
12	-	GALV. 1/2" x 5-11/16" x 7" U-BOLT ASSEMBLY	4	1.20



QTY:
CHK:

STANDARD TOLERANCES:
(UNLESS OTHERWISE NOTED)

FRACTIONS ±1/16"
1 DECIMAL ±.1"
2 DECIMAL ±.03"
3 DECIMAL ±.005"
ANGLES ±.5°

THIS DESIGN AND INFORMATION CONTAINED ON THIS PRINT IS THE PROPERTY OF NEWAVE TOWER COMPONENTS LLC. ANY REPRODUCTION, DUPLICATION OR TRANSFER OF THE PROPRIETARY CONTENT IS PROHIBITED WITHOUT WRITTEN PERMISSION.

NEWAVE
Tower Components. 503-792-3739
10910 PORTLAND RD. BROOKS, OR 97305

MATERIAL: AS SHOWN
GRADE: AS SHOWN
FINISH: HDG
DRAWN BY: KY
CHECKED BY: -

TITLE: SAT DISH MOUNT
FITS 1-1/2" TO 17" O.D ROUND LEG
SERIES: MONOPOLE MOUNTING
DATE: 1/26/2018
PART WT (BARE): 218.9 LB
DRAWING NO. SDM17