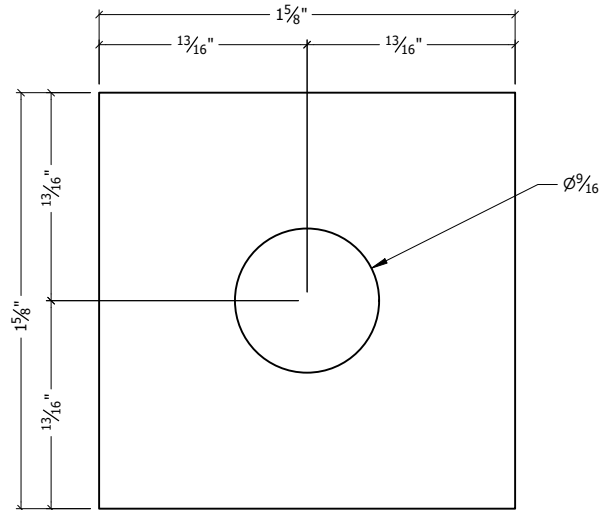
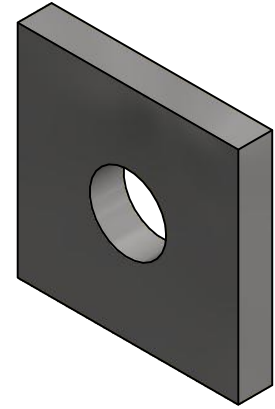


REV	BY	DESCRIPTION	DATE
A	WJ	SEE MODEL I PROPERTIES/COMMENTS	9/30/2019



THIS DESIGN AND INFORMATION CONTAINED ON THIS PRINT IS THE PROPERTY OF VALLEY FAB CORPORATION. ANY REPRODUCTION, DUPLICATION OR TRANSFER OF THE PROPRIETARY CONTENT IS PROHIBITED WITHOUT WRITTEN PERMISSION.

STANDARD TOLERANCES:
(UNLESS OTHERWISE NOTED)
FRACTIONS ±1/16"
DECIMALS ±0.01"
ANGLES ±0.5°



TOTAL WT: 0.15 LB
QTY:
FINISH: HDG
JOB #:

GRADE	DESCRIPTION	DRAWN BY:	DATE:	CHK'D BY:
A36	1/4" PLATE	WJ	9/30/2019	KY
TITLE: 1-5/8" SQUARE FLAT WASHER WITH 9/16" HOLE		DRAWING NO. SFW-916G		
SERIES: HARDWARE	SHEET: 1 OF 1			