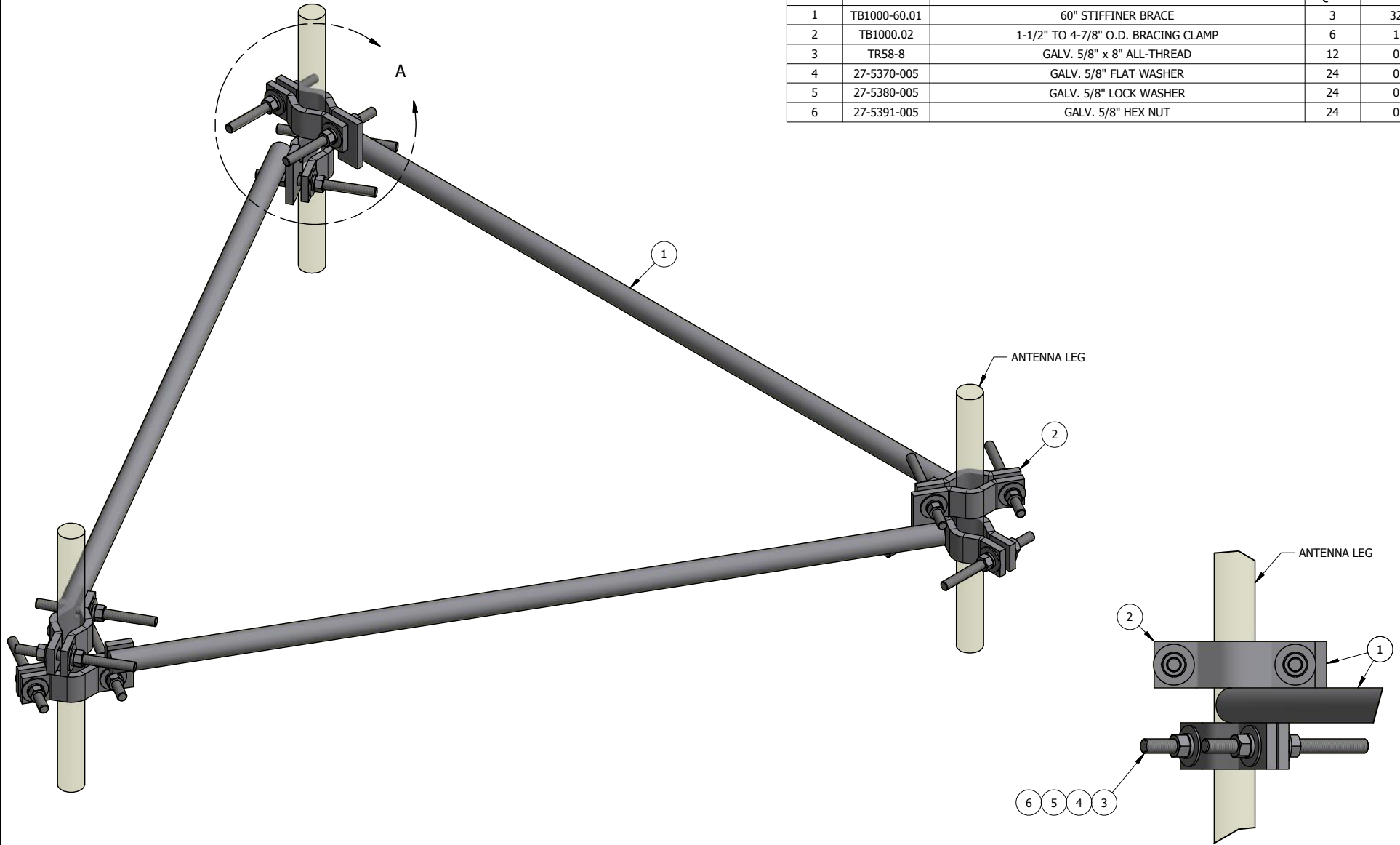


ITEM	PART #	DESCRIPTION	QTY	UNIT WT
1	TB1000-60.01	60" STIFFENER BRACE	3	32.71
2	TB1000.02	1-1/2" TO 4-7/8" O.D. BRACING CLAMP	6	1.89
3	TR58-8	GALV. 5/8" x 8" ALL-THREAD	12	0.69
4	27-5370-005	GALV. 5/8" FLAT WASHER	24	0.07
5	27-5380-005	GALV. 5/8" LOCK WASHER	24	0.03
6	27-5391-005	GALV. 5/8" HEX NUT	24	0.08



DETAIL A

QTY:  
CHK:

**STANDARD TOLERANCES:**  
(UNLESS OTHERWISE NOTED)  
FRACTIONS ±1/16"  
DECIMALS ±.005"  
ANGLES ±.5°

THIS DESIGN AND INFORMATION CONTAINED ON THIS PRINT IS THE PROPERTY OF NEWAVE TOWER COMPONENTS LLC. ANY REPRODUCTION, DUPLICATION OR TRANSFER OF THE PROPRIETARY CONTENT IS PROHIBITED WITHOUT WRITTEN PERMISSION.

**NEWAVE**  
Tower Components. 503-792-3739  
10910 PORTLAND RD. BROOKS, OR 97305

MATERIAL: AS SHOWN	DRAWN BY: CW	TITLE: TIE BRACING KIT 60" TOWER FACE w/1-1/2" TO 4-7/8" O.D. LEGS		
HOLES: AS SHOWN	CHECKED BY: JG	SERIES: TOWER BRACING		
FINISH: HDG	DATE: 4/1/2013	PART WT (BARE): 122.0 LB	DRAWING NO. TB1000-60	SHEET: 1 OF 1