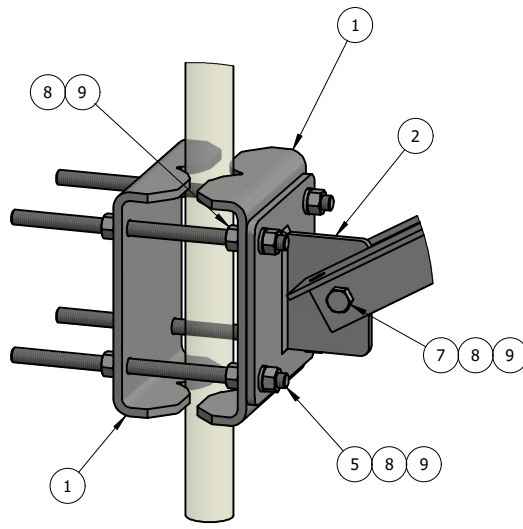
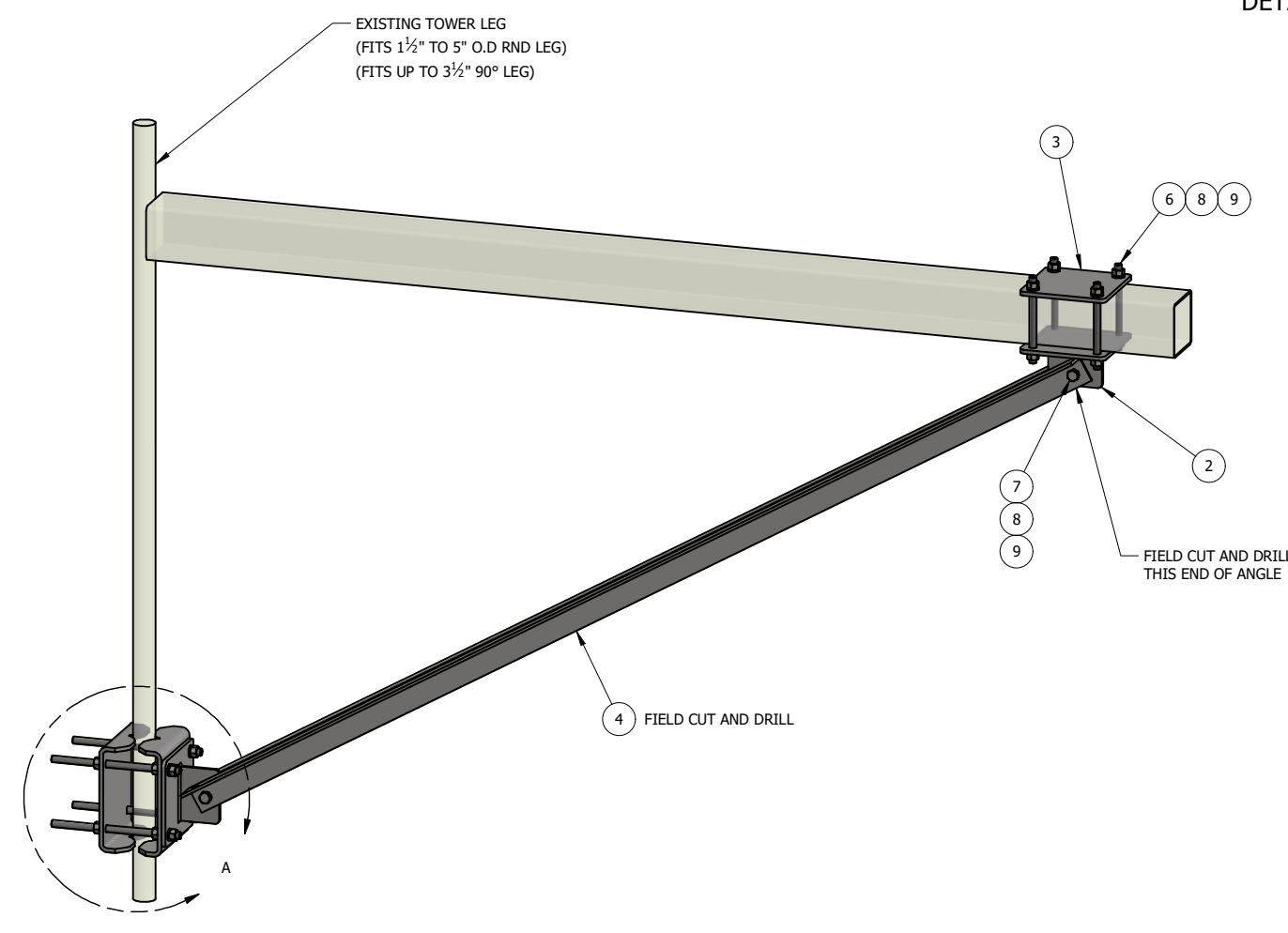
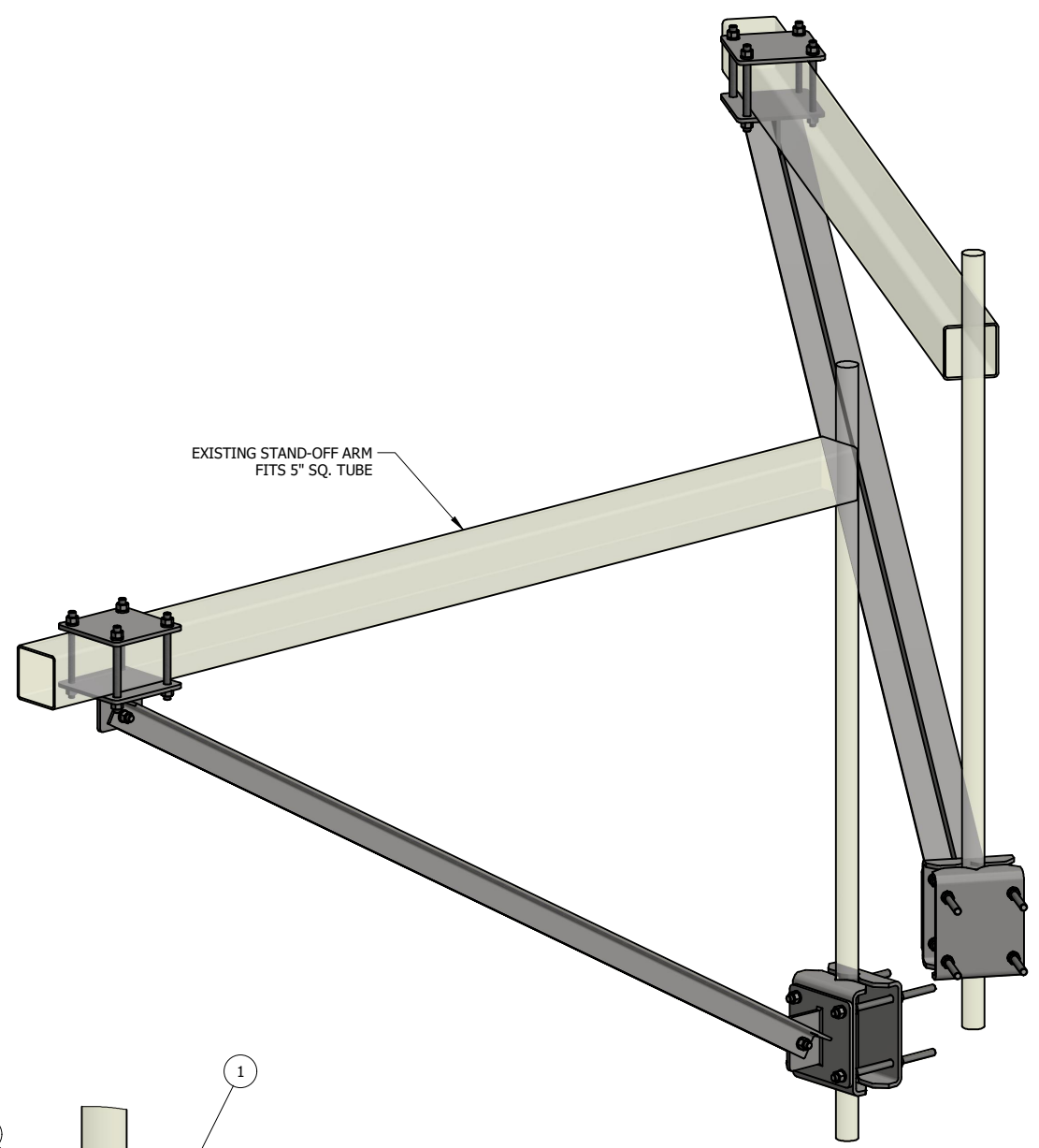


**ANGLE END VIEW
FIELD DRILL
DETAIL**



DETAIL - A

THIS DESIGN AND INFORMATION CONTAINED ON THIS PRINT IS THE PROPERTY OF VALLEY FAB CORPORATION. ANY REPRODUCTION, DUPLICATION OR TRANSFER OF THE PROPRIETARY CONTENT IS PROHIBITED WITHOUT WRITTEN PERMISSION.

STANDARD TOLERANCES:
(UNLESS OTHERWISE NOTED)
FRACTIONS ±1/16"
DECIMALS ±0.01"
ANGLES ±0.5°

NEWAVE
TOWER COMPONENTS, 503-792-3739
10910 PORTLAND RD. BROOKS, OR 97305

TOTAL WT: 361.5 LB
QTY:
FINISH:
JOB #:

ITEM	PART #	QTY	DESCRIPTION	LENGTH	FINISH	UNIT WT
1	AMSB.01	6	3/8" PLATE		HDG	10.88
2	LPS.01	6	LOWER MOUNTING BRACKET		HDG	8.63
3	CP38X8X8	3	3/8" PLATE		HDG	6.63
4	SMT-L252525-8	6	L2 1/2x2 1/2x1/4"	8'	HDG	32.47
5	TR58-12	12	GALV. 5/8" x 12" ALL-THREAD			1.04
6	TR58-8	12	HDG - 5/8" x 8" ALL-THREAD A307 GR-A (OR GREATER)			0.69
7	27-4403-005	6	5/8 x 2 GR.5 HDG BOLT			0.27
8	27-5380-005	66	5/8 HDG LOCK WASHER			0.03
9	27-5391-005	66	5/8" HDG HEX NUT			0.08

TITLE: 3-LEG TOWER STAND-OFF REINFORCEMENT KIT
FITS 1-1/2" TO 5" O.D RND LEG OR 3-1/2" 90° LEG

SERIES: TOWER ANTENNA MOUNT SHEET: 1 OF 1

DRAWN BY: KY DATE: 5/19/2022 CHK'D BY: -
DRAWING NO. TSRK3-5-8