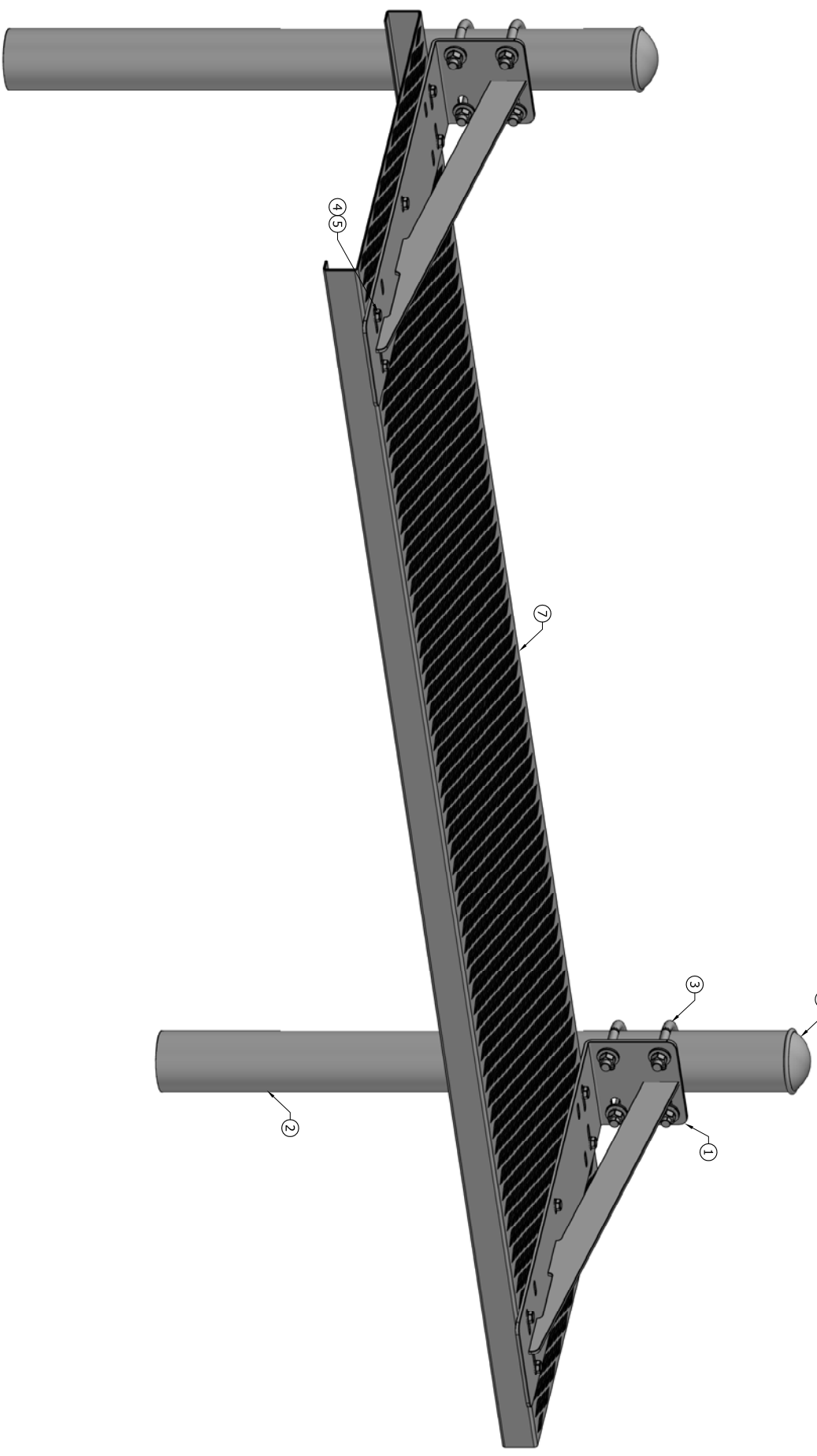


REV	BY	DESCRIPTION	DATE
-----	----	-------------	------

ITEM	PART #	QTY.	DESCRIPTION
1	HB12	2	12" WAVEGUIDE BRIDGE SUPPORT BRACKET
2	P35-18	2	3-1/2" O.D. x 18'-0" PIPE COLUMN
3	Z7-6090-005	4	GALV U-BOLT 1/2" x 3-5/8" x 5"
4	Z7-5100-005	12	GALV 3/8" x 2-1/4" A325 BOLT
5	SPW-716G	12	GALV. 1-1/2" SQUARE WASHER - 3/16" A36 PLATE
6	PC3	2	PIPE CAP FOR 3-1/2" O.D. PIPE
7	WB55009-10	ONE	11-3/4" x 10' x 2" DEEP GRIP STRUT



STANDARD TOLERANCES:
 (UNLESS OTHERWISE NOTED)
 FRACTIONS ±1/16"
 DECIMALS ±.005"
 ANGLES ±.5°

THE DESIGN AND INFORMATION CONTAINED ON THIS PRINT IS PROPERTY OF VALLEY FAB CORP. ANY REPRODUCTION, DUPLICATION, OR TRANSFER OF THE PROPRIETARY CONTENT IS PROHIBITED WITHOUT WRITTEN PERMISSION.

NEWAVE
(H)
 TOWER COMPONENTS, 503-792-3739
 10910 PORTLAND RD. BROOKS, OR 97305

MATERIAL:	DRAWN BY:	TITLE:
-	CJW	WAVEGUIDE BRIDGE KIT
HOLES:	CHECKED BY:	12" x 10' BRIDGE KIT W/18' PIPE COLUMNS
-	SAZ	COAX ICE BRIDGE
FINISH:	DATE:	PROJECT NO.:
HDG	12/6/11	-
		DRAWING NO.:
		WB5000-1218DB
		SHEET:
		1 OF 1