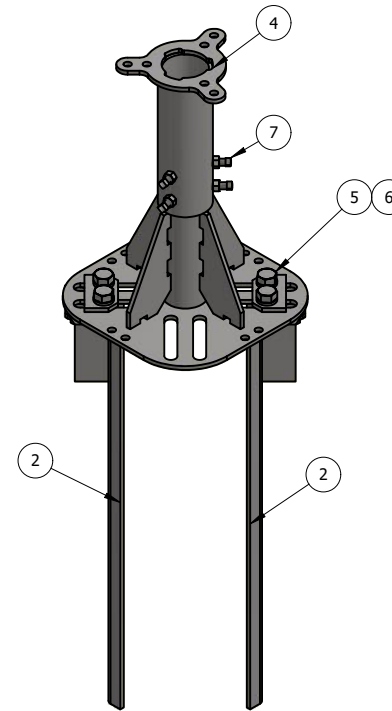


CONFIGURATION 1

Ø7 1/4" TO 14" POLE



THIS DESIGN AND INFORMATION CONTAINED ON THIS PRINT IS THE PROPERTY OF VALLEY FAB CORPORATION. ANY REPRODUCTION, DUPLICATION OR TRANSFER OF THE PROPRIETARY CONTENT IS PROHIBITED WITHOUT WRITTEN PERMISSION.

STANDARD TOLERANCES:

(UNLESS OTHERWISE NOTED)

FRACTIONS ±1/16"
 DECIMALS ±0.01"
 ANGLES ±0.5°



NEWAVE
 TOWER COMPONENTS. 503-792-3739
 10910 PORTLAND RD. BROOKS, OR 97305

TOTAL WT: 35.75 LB

QTY: -

FINISH: HDG

JOB #: -

ITEM	PART #	QTY	DESCRIPTION	LENGTH	FINISH	UNIT WT
1	WP-SCAM-107.01	1	WOODPOLE MOUNT, STEEL TOP EXTENSION		HDG	12.07
2	WP-SCAM-107.02	2	1/4" PLATE		HDG	8.40
3	WP-SCAM-107.03	2	1/4" PLATE		HDG	0.30
4	WP-SCAM-107.10	1	AMOHENOL ANTENNA MOUNT SLEEVE WELDMENT		HDG	5.08
5	27-4403-005	4	5/8" x 2" GR.5 HDG BOLT			0.27
6	27-5380-005	4	5/8 HDG LOCK WASHER			0.03
7	-	6	3/8" x1" Square Head Set Screw - Cup Point			0.01

TITLE: WOODPOLE MOUNT, TOP EXTENSION W/ SLEEVE
 FITS 5 1/4"- 14" POLE SIZE

DRAWN BY: SJ DATE: 1/7/2021 CHK'D BY: CJW
 DRAWING NO. WP-SCAM-107

SERIES: WOODPOLE MOUNTING SHEET: 1 OF 1