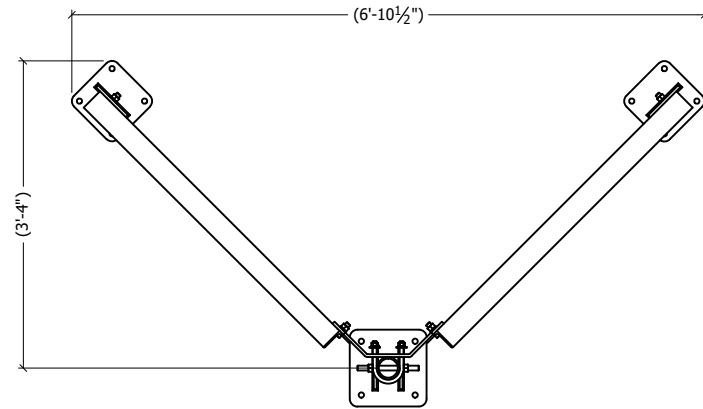
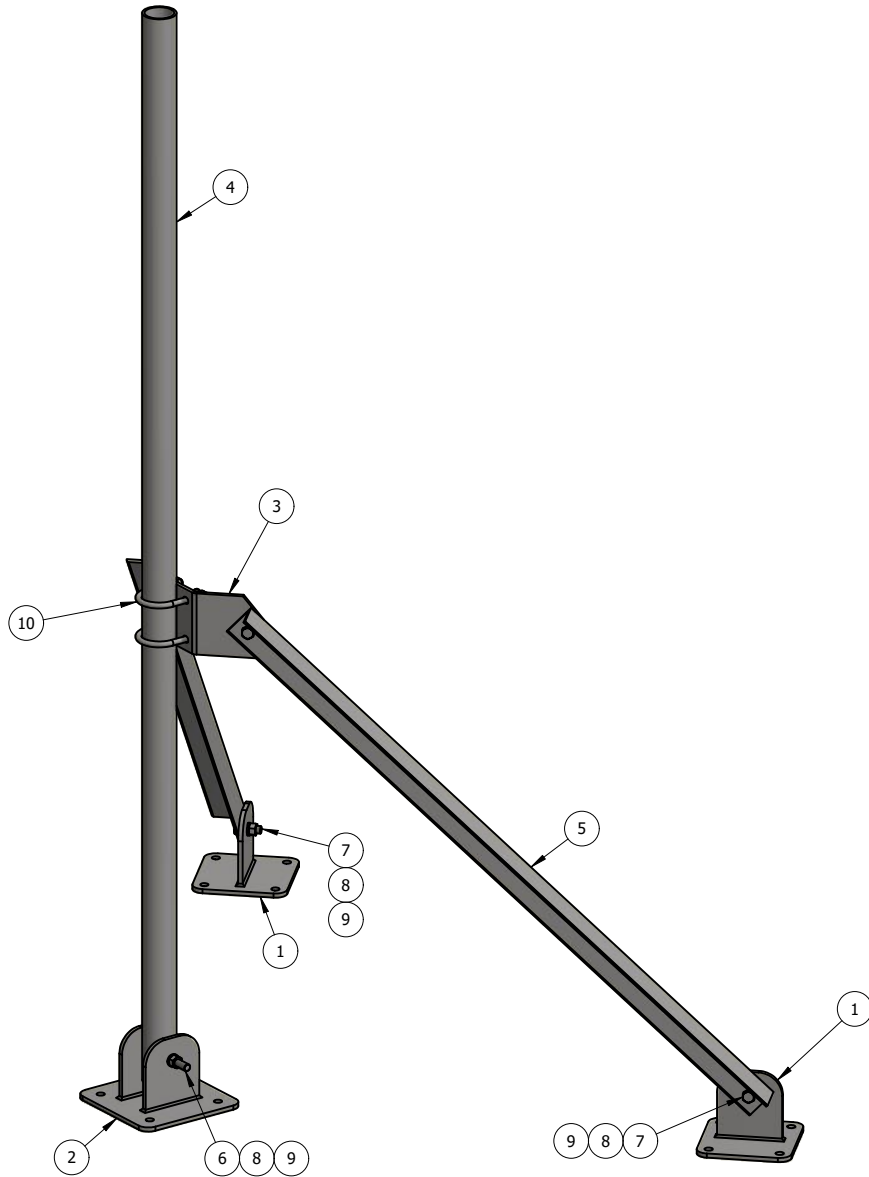


REV	BY	DESCRIPTION	DATE
A	KY	SEE MODEL I PROPERTIES/COMMENTS	11/2/2021



TOP VIEW

ITEM	PART #	QTY	DESCRIPTION	LENGTH	FINISH	UNIT WT
1	WT6001.01	2	BASE ATTACHMENT WELDMENT		HDG	9.90
2	WT6001.04	1	CENTER BASE ATTACHMENT WELDMENT		HDG	17.08
3	WT6001.06	1	3/8" PLATE		HDG	9.64
4	WT6001.07	1	2 1/2" STD PIPE	8'	HDG	46.35
5	LPS.04	2	L3x3x1/4"	5'	HDG	24.67
6	TR58-8	1	5/8" x 8" A36 HDG ALL-THREAD	8"		0.69
7	27-4402-005	4	5/8" x 1 3/4" GR.5 HDG BOLT			0.25
8	27-5380-005	6	5/8 HDG LOCK WASHER			0.03
9	27-5391-005	6	5/8" HDG HEX NUT			0.08
10	27-6080-005	2	GALV. 1/2" x 3" x 5" GR-5 U-BOLT ASSEMBLY			0.89

THIS DESIGN AND INFORMATION CONTAINED ON THIS PRINT IS THE PROPERTY OF VALLEY FAB CORPORATION. ANY REPRODUCTION, DUPLICATION OR TRANSFER OF THE PROPRIETARY CONTENT IS PROHIBITED WITHOUT WRITTEN PERMISSION.

STANDARD TOLERANCES:
(UNLESS OTHERWISE NOTED)
FRACTIONS ±1/16"
DECIMALS ±0.01"
ANGLES ±0.5°

NEWAVE
TOWER COMPONENTS. 503-792-3739
10910 PORTLAND RD. BROOKS, OR 97305

TOTAL WT: 146.3 LB
QTY:
FINISH:
JOB #:

TITLE:	WATER TANK OR ROOFTOP TRIPOD MOUNT W/ 2-7/8" O.D X 8' PIPE		DRAWN BY:	DATE:	CHK'D BY:
SERIES:	ROOFTOP/WALL MOUNTING	SHEET:	1 OF 1	JG	7/17/2018
DRAWING NO.				WT6001	