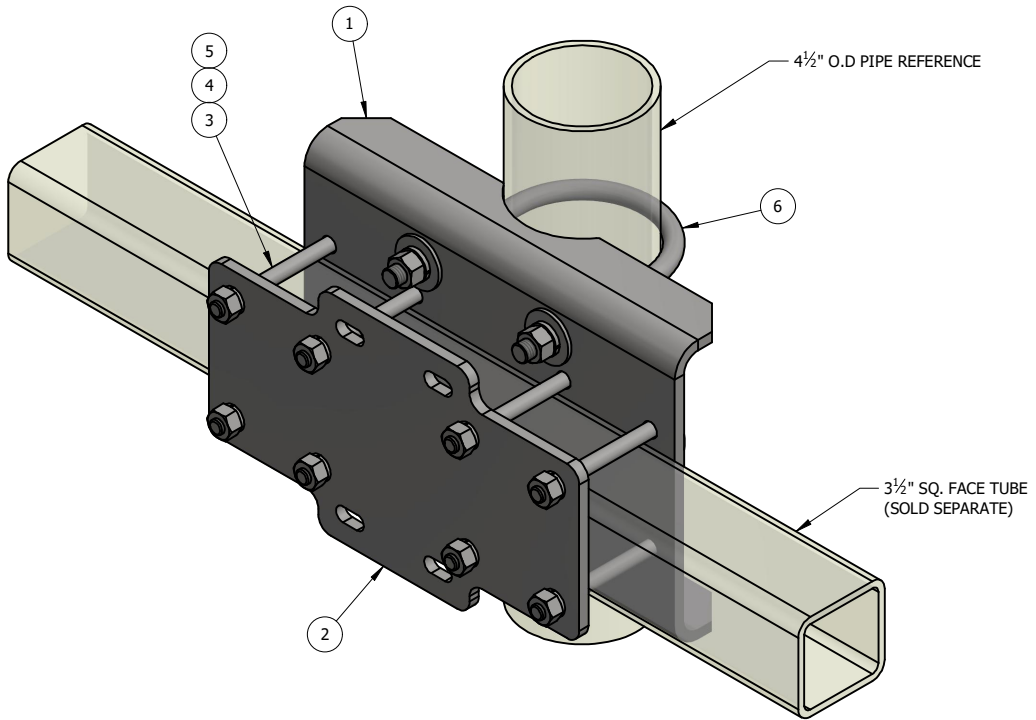



TOP VIEW



ITEM	PART #	QTY	DESCRIPTION	LENGTH	FINISH	UNIT WT
1	AM1014-XP.01	1	CROSS OVER CHANNEL WELDMENT		HDG	23.82
2	AM1014-XP-SQ.01	1	3/8" PLATE		HDG	10.84
3	27-5300-005	8	1/2 x 5 A325 HDG BOLT			0.34
4	27-5210-005	8	1/2" HDG LOCK WASHER			0.01
5	27-5220-005	8	1/2" HDG HEAVY HEX NUT			0.07
6	27-6235-005	2	HDG - 5/8" x 4-5/8" x 7-1/2" U-BOLT ASSEMBLY		HDG	1.99

THIS DESIGN AND INFORMATION CONTAINED ON THIS PRINT IS THE PROPERTY OF VALLEY FAB CORPORATION. ANY REPRODUCTION, DUPLICATION OR TRANSFER OF THE PROPRIETARY CONTENT IS PROHIBITED WITHOUT WRITTEN PERMISSION.

STANDARD TOLERANCES:
 (UNLESS OTHERWISE NOTED)
 FRACTIONS ±1/16"
 DECIMALS ±0.01"
 ANGLES ±0.5°


NEWAVE
 TOWER COMPONENTS. 503-792-3739
 10910 PORTLAND RD. BROOKS, OR 97305

TOTAL WT: 42 LB
 QTY:
 FINISH:
 JOB #:

TITLE: **CELLULAR FACE CROSS OVER CHANNEL KIT FOR 4-1/2" O.D PIPE TO 3-1/2" SQ TUBE**
 SERIES: TOWER ANTENNA MOUNT SHEET: 1 OF 1

DRAWN BY: RJ DATE: 12/29/2023 CHK'D BY: KY
 DRAWING NO. AM1014-XP-SQ