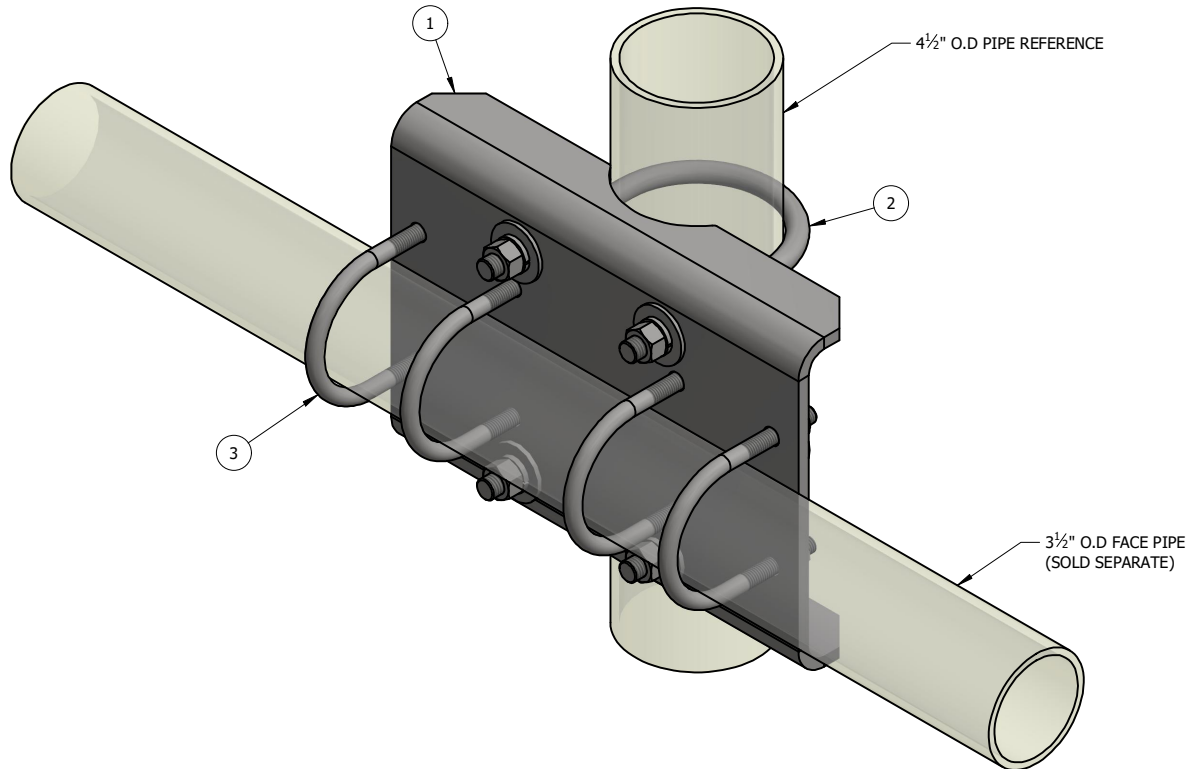


TOP VIEW



THIS DESIGN AND INFORMATION CONTAINED ON THIS PRINT IS THE PROPERTY OF VALLEY FAB CORPORATION. ANY REPRODUCTION, DUPLICATION OR TRANSFER OF THE PROPRIETARY CONTENT IS PROHIBITED WITHOUT WRITTEN PERMISSION.

STANDARD TOLERANCES:
(UNLESS OTHERWISE NOTED)
FRACTIONS ±1/16"
DECIMALS ±0.01"
ANGLES ±0.5°

NEWAVE
TOWER COMPONENTS. 503-792-3739
10910 PORTLAND RD. BROOKS, OR 97305

TOTAL WT: 31.4 LB
QTY:
FINISH: HDG
JOB #:

ITEM	PART #	QTY	DESCRIPTION	LENGTH	FINISH	UNIT WT
1	AM1014-XP.01	1	CROSS OVER CHANNEL WELDMENT		HDG	23.82
2	27-6235-005	2	HDG - 5/8" x 4-5/8" x 7-1/2" U-BOLT ASSEMBLY		HDG	1.99
3	27-6090-005	4	HDG - 1/2" x 3 5/8" x 5" U-BOLT ASSEMBLY		HDG	0.90

TITLE: CELLULAR FACE CROSS OVER CHANNEL KIT FOR 4-1/2" TO 3-1/2" O.D PIPE CONNECTION			DRAWN BY: RJ	DATE: 12/29/2023	CHK'D BY: KY
SERIES: TOWER ANTENNA MOUNT			DRAWING NO. AM1014-XP		
SHEET: 1 OF 1					