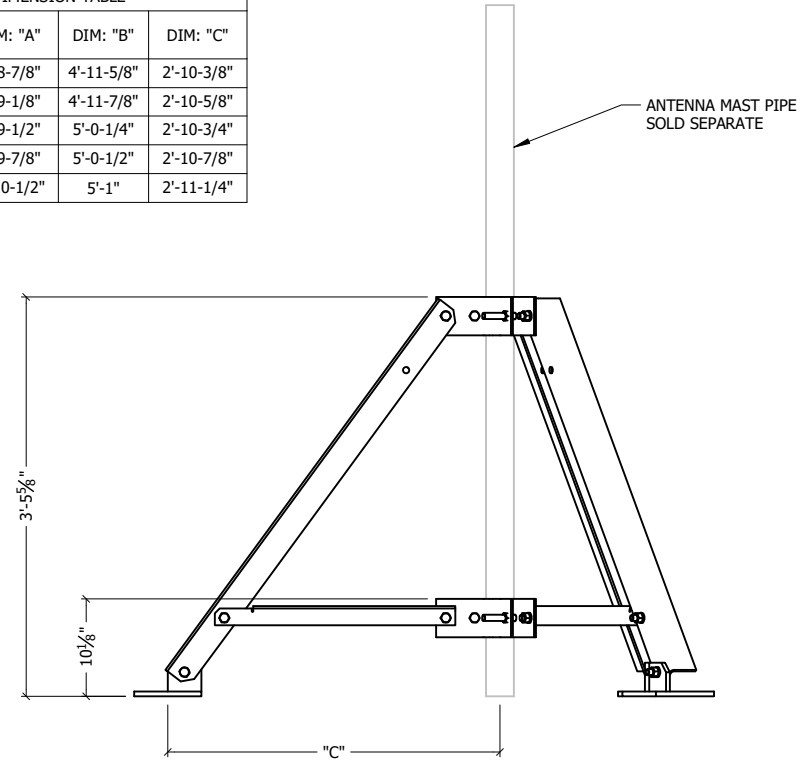
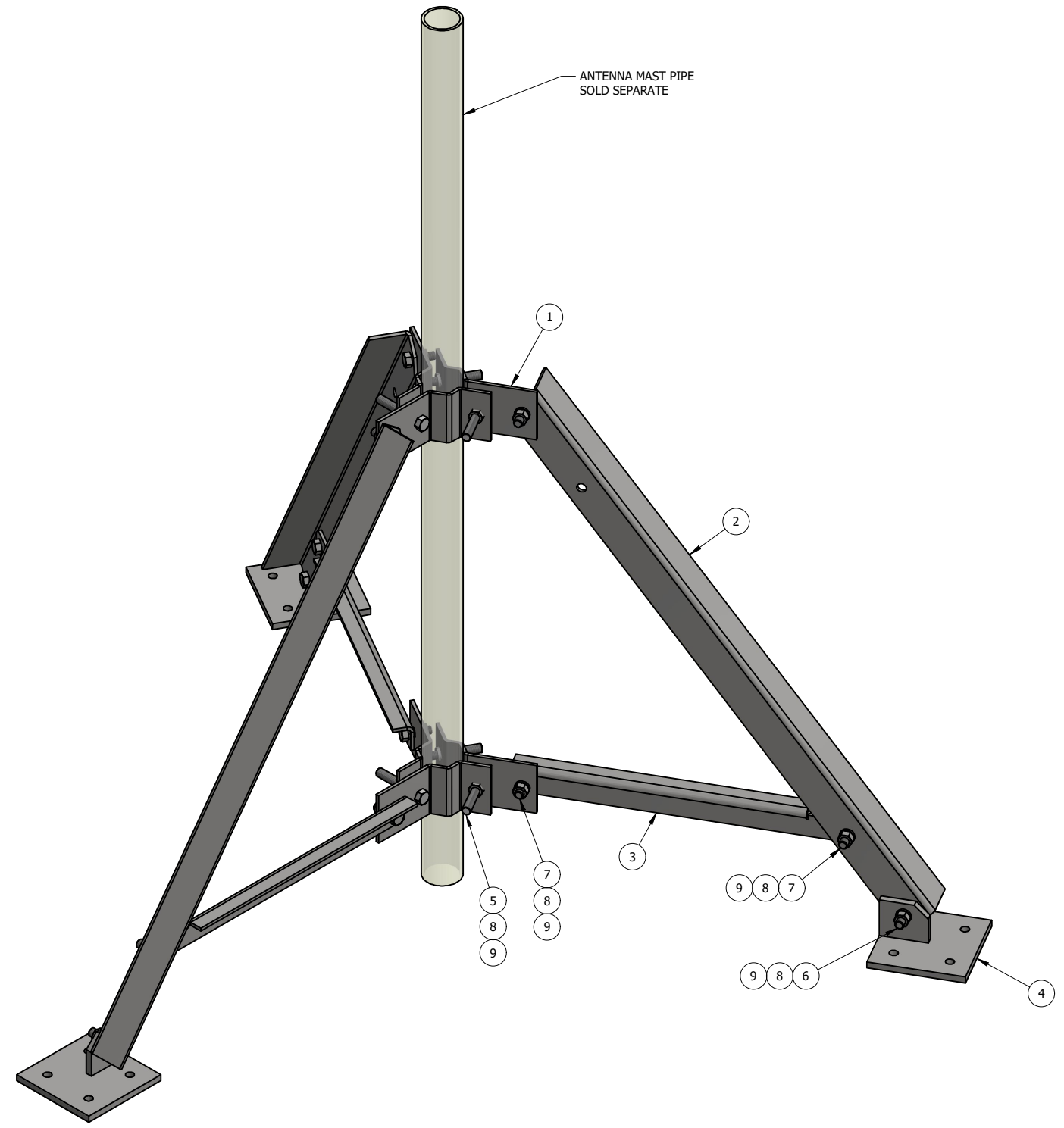


TOP VIEW

DIMENSION TABLE			
PIPES O.D	DIM: "A"	DIM: "B"	DIM: "C"
2-3/8"	5'-8-7/8"	4'-11-5/8"	2'-10-3/8"
2-7/8"	5'-9-1/8"	4'-11-7/8"	2'-10-5/8"
3-1/2"	5'-9-1/2"	5'-0-1/4"	2'-10-3/4"
4"	5'-9-7/8"	5'-0-1/2"	2'-10-7/8"
4-1/2"	5'-10-1/2"	5'-1"	2'-11-1/4"



SIDE VIEW



ITEM	PART #	QTY	DESCRIPTION	LENGTH	FINISH	UNIT WT
1	RT4005-23.01	6	1/4" PLATE		HDG	2.65
2	RT4005.01	3	1/4" PLATE		HDG	19.03
3	RT4005.02	3	1/4" PLATE		HDG	5.04
4	RT4104	3	FOOT BRACKET WELDMENT		HDG	8.14
5	27-4412-005	6	HDG - 5/8" x 4" GR.5 FULL THREADED BOLT			0.44
6	27-4403-005	3	5/8 x 2 GR.5 HDG BOLT			0.27
7	27-4402-005	9	5/8" x 1 3/4" GR.5 HDG BOLT			0.25
8	27-5380-005	18	5/8" HDG LOCK WASHER			0.03
9	27-5391-005	18	5/8" HDG HEX NUT			0.08

THIS DESIGN AND INFORMATION CONTAINED ON THIS PRINT IS THE PROPERTY OF VALLEY FAB CORPORATION. ANY REPRODUCTION, DUPLICATION OR TRANSFER OF THE PROPRIETARY CONTENT IS PROHIBITED WITHOUT WRITTEN PERMISSION.

**STANDARD TOLERANCES:**  
 (UNLESS OTHERWISE NOTED)  
 FRACTIONS ±1/16"  
 DECIMALS ±0.01"  
 ANGLES ±0.5°

**NEWAVE**  
 TOWER COMPONENTS, 503-792-3739  
 10910 PORTLAND RD. BROOKS, OR 97305

TOTAL WT: 120.2 LB  
 QTY:  
 FINISH: HDG  
 JOB #:

TITLE: ROOFTOP TRIPOD MOUNT, SINGLE ANGLE KIT W/ FEET, FITS 2-3/8" TO 4-1/2" O.D MAST PIPE

SERIES: ROOFTOP SHEET: 1 OF 1

DRAWN BY: KY DATE: 7/15/2024 CHK'D BY: -  
 DRAWING NO. RT4005-4H