


NOTES:
 *THIS KIT CAN BE MOUNTED TO A NON-PENETRATING SLED. PART# RT4007 SOLD SEPARATE.
 *THIS KIT CAN BE MOUNTED WITH CUSTOM PENETRATING BRACKETS. CUSTOM PARTS SOLD SEPARATE.

ITEM	PART #	QTY	DESCRIPTION	LENGTH	FINISH	UNIT WT
1	RT4005-23.01	6	1/4" PLATE		HDG	2.65
2	RT4005.01	3	1/4" PLATE		HDG	19.03
3	RT4005.02	3	1/4" PLATE		HDG	5.04
4	27-4412-005	6	HDG - 5/8" x 4" GR.5 FULL THREADED BOLT			0.44
5	27-4403-005	3	5/8 x 2 GR.5 HDG BOLT			0.27
6	27-4402-005	9	5/8" x 1 3/4" GR.5 HDG BOLT			0.25
7	27-5380-005	18	5/8" HDG LOCK WASHER			0.03
8	27-5391-005	18	5/8" HDG HEX NUT			0.08

THIS DESIGN AND INFORMATION CONTAINED ON THIS PRINT IS THE PROPERTY OF VALLEY FAB CORPORATION. ANY REPRODUCTION, DUPLICATION OR TRANSFER OF THE PROPRIETARY CONTENT IS PROHIBITED WITHOUT WRITTEN PERMISSION.

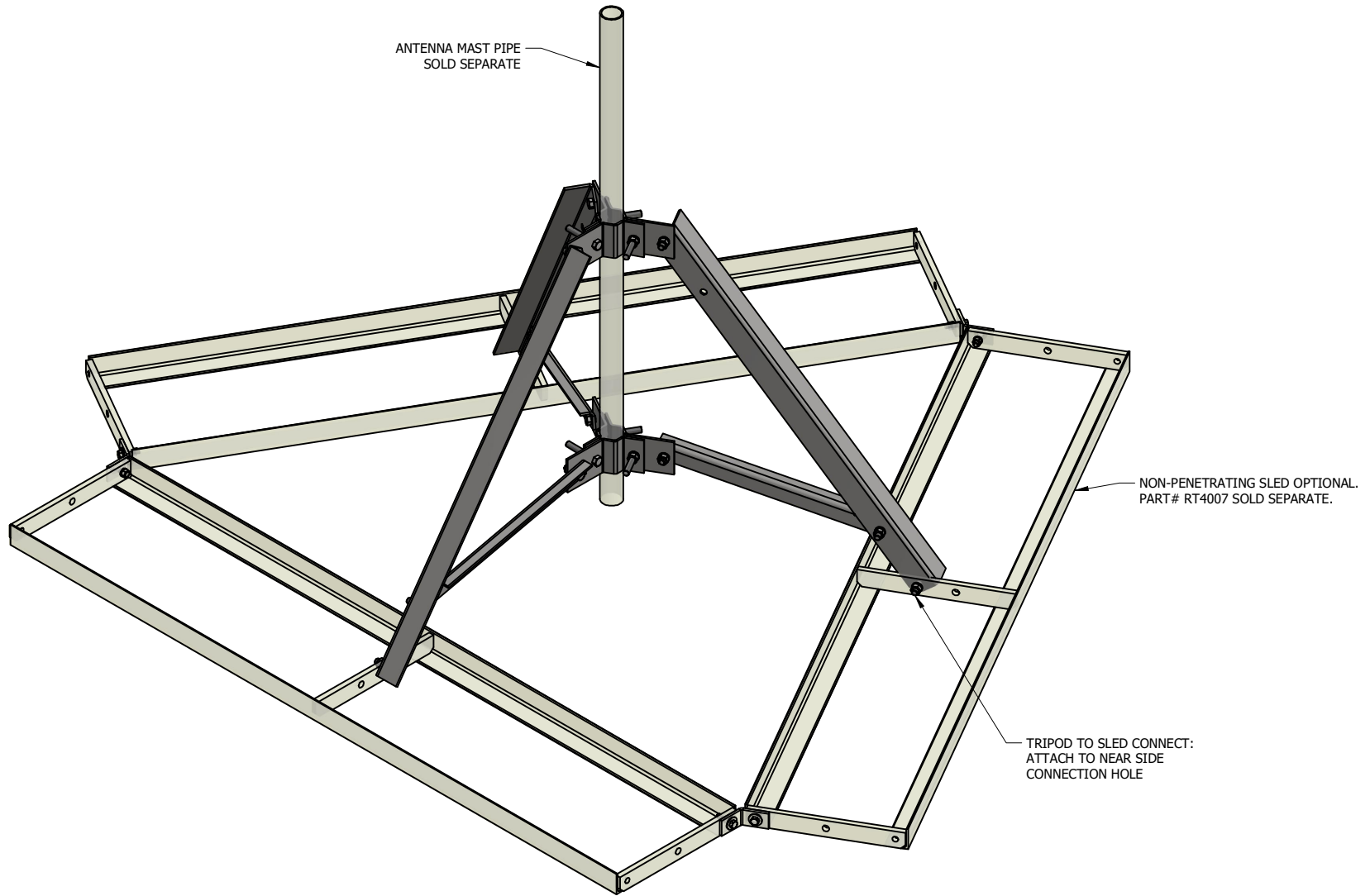
STANDARD TOLERANCES:
 (UNLESS OTHERWISE NOTED)
 FRACTIONS ±1/16"
 DECIMALS ±0.01"
 ANGLES ±0.5°


NEWAVE
 TOWER COMPONENTS. 503-792-3739
 10910 PORTLAND RD. BROOKS, OR 97305

TOTAL WT: 95.8 LB
 QTY:
 FINISH: HDG
 JOB #:

TITLE: ROOFTOP TRIPOD MOUNT, SINGLE ANGLE KIT FOR 2-3/8" TO 4-1/2" O.D MAST PIPE
 SERIES: ROOFTOP SHEET: 1 OF 2

DRAWN BY: KY DATE: 7/15/2024 CHK'D BY: -
 DRAWING NO. RT4005



NON-PENETRATING REPRESENTATION

THIS DESIGN AND INFORMATION CONTAINED ON THIS PRINT IS THE PROPERTY OF VALLEY FAB CORPORATION. ANY REPRODUCTION, DUPLICATION OR TRANSFER OF THE PROPRIETARY CONTENT IS PROHIBITED WITHOUT WRITTEN PERMISSION.

STANDARD TOLERANCES:
 (UNLESS OTHERWISE NOTED)
 FRACTIONS ±1/16"
 DECIMALS ±0.01"
 ANGLES ±0.5°

NEWAVE

 TOWER COMPONENTS. 503-792-3739
 10910 PORTLAND RD. BROOKS, OR 97305

TOTAL WT: 95.8 LB
 QTY:
 FINISH: HDG
 JOB #:

TITLE: ROOFTOP TRIPOD MOUNT, SINGLE ANGLE KIT
 FOR 2-3/8" TO 4-1/2" O.D MAST PIPE
 SERIES: ROOFTOP SHEET: 2 OF 2

DRAWN BY: KY	DATE: 7/15/2024	CHK'D BY: -
DRAWING NO. RT4005		