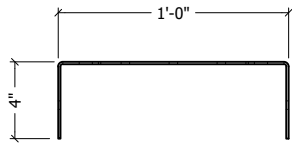
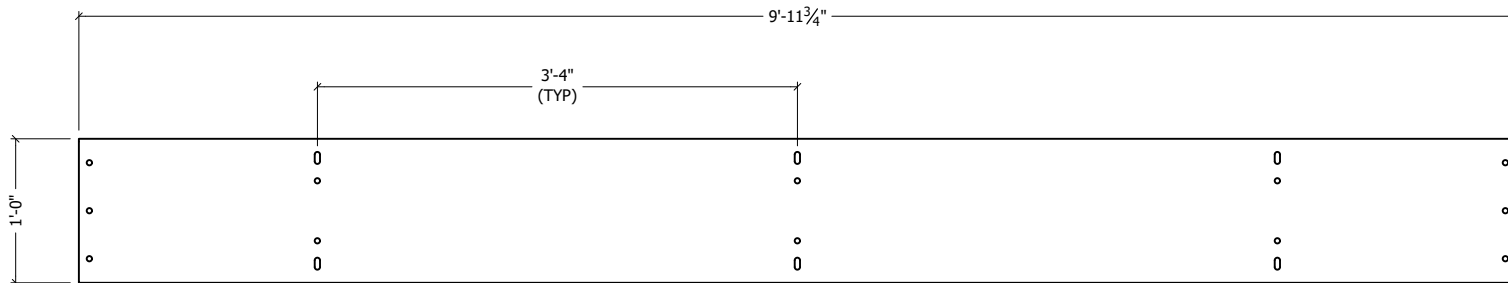
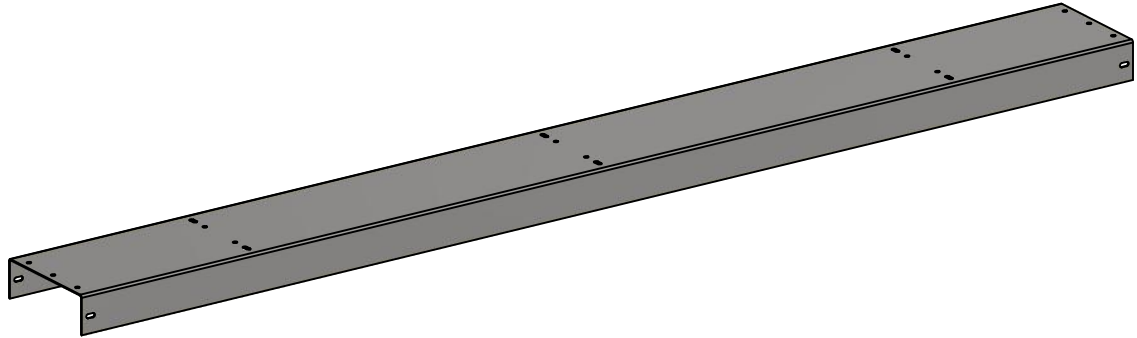


REV	BY	DESCRIPTION	DATE
A	KY	SEE MODEL I PROPERTIES/COMMENTS	7/28/2020



END VIEW



TOP VIEW

THIS DESIGN AND INFORMATION CONTAINED ON THIS PRINT IS THE PROPERTY OF VALLEY FAB CORPORATION. ANY REPRODUCTION, DUPLICATION OR TRANSFER OF THE PROPRIETARY CONTENT IS PROHIBITED WITHOUT WRITTEN PERMISSION.

STANDARD TOLERANCES:
(UNLESS OTHERWISE NOTED)
FRACTIONS ±1/16"
DECIMALS ±0.01"
ANGLES ±0.5°

NEWAVE
TOWER COMPONENTS. 503-792-3739
10910 PORTLAND RD. BROOKS, OR 97305

TOTAL WT: 79.4 LB
QTY:
FINISH: HGD
JOB #:

TITLE: 12" x 10' x 4" DEEP
SOLID WAVEGUIDE BRIDGE CHANNEL

DRAWN BY: KY
DATE: 8/31/2018
CHK'D BY: -

DRAWING NO. WB5008-10

SERIES: COAX ICE BRIDGE SHEET: 2 OF 2