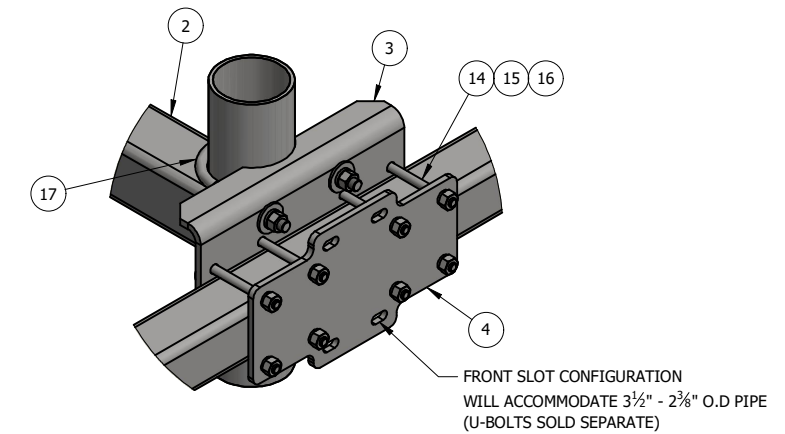


DETAIL - A



FRONT SLOT CONFIGURATION
WILL ACCOMMODATE 3 1/2" - 2 3/8" O.D PIPE
(U-BOLTS SOLD SEPARATE)

DETAIL - B

ITEM	PART #	QTY	DESCRIPTION	LENGTH	FINISH	UNIT WT
1	MF1236-3.01	3	UNIVERSAL 12" TO 36" RING MOUNT WELDMENT		HDG	50.60
2	M3015-36.01	3	36" STAND OFF WELDMENT		HDG	57.98
3	AM1014-XP.01	3	CROSS OVER CHANNEL WELDMENT		HDG	22.88
4	AM1014-XP-SQ.01	3	3/8" PLATE		HDG	10.84
5	ST35-14-150	3	HSS 3 1/2x3 1/2x1/4"	12'-6"		131.41
6	27-5580-005	9	3/4" x 28" B7 HDG ALL-THREAD	2'-4"		3.51
7	27-5481-005	18	3/4 A36 HDG FLAT WASHER			0.11
8	27-5490-005	18	3/4 HDG LOCK WASHER			0.04
9	27-5500-005	18	3/4" HDG HEAVY HEX NUT			0.21
10	27-5450-005	12	5/8" x 2 1/2" A325 HDG BOLT			0.32
11	27-5370-005	12	5/8 A36 HDG FLAT WASHER			0.08
12	27-5380-005	12	5/8" HDG LOCK WASHER			0.03
13	27-5390-005	12	5/8 HDG HEAVY HEX NUT			0.13
14	27-5300-005	24	1/2 x 5 A325 HDG BOLT			0.34
15	27-5220-005	24	1/2" HDG HEAVY HEX NUT			0.07
16	27-5210-005	24	1/2" HDG LOCK WASHER			0.01
17	27-6235-005	6	HDG - 5/8" x 4-5/8" x 7-1/2" U-BOLT ASSEMBLY		HDG	1.99

THIS DESIGN AND INFORMATION CONTAINED ON THIS PRINT IS THE PROPERTY OF VALLEY FAB CORPORATION. ANY REPRODUCTION, DUPLICATION OR TRANSFER OF THE PROPRIETARY CONTENT IS PROHIBITED WITHOUT WRITTEN PERMISSION.

STANDARD TOLERANCES:
(UNLESS OTHERWISE NOTED)
FRACTIONS ±1/16"
DECIMALS ±0.01"
ANGLES ±0.5°

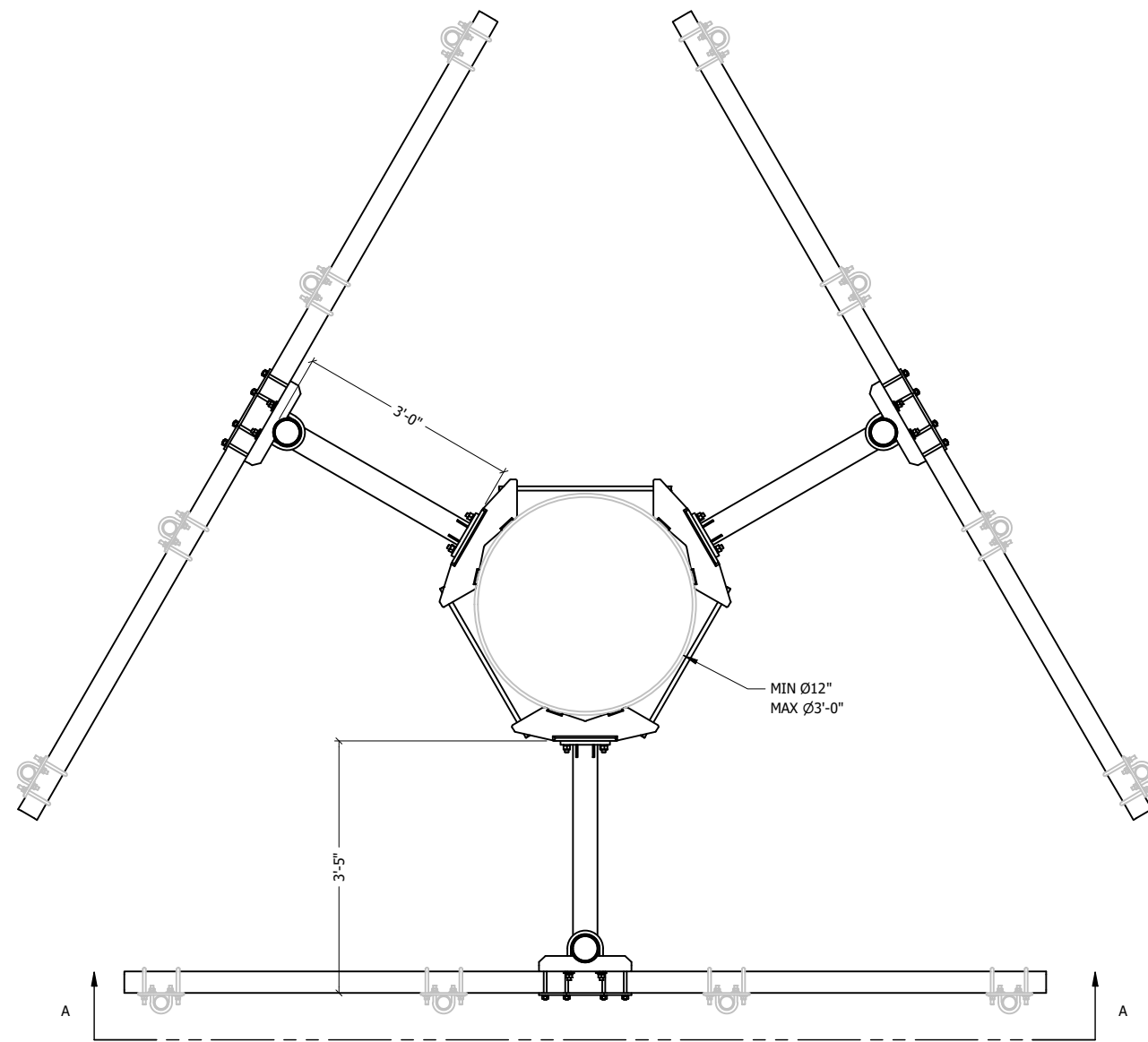
NEWAVE
TOWER COMPONENTS, 503-792-3739
10910 PORTLAND RD. BROOKS, OR 97305

TOTAL WT: 888 LB
QTY:
FINISH: HDG
JOB #:

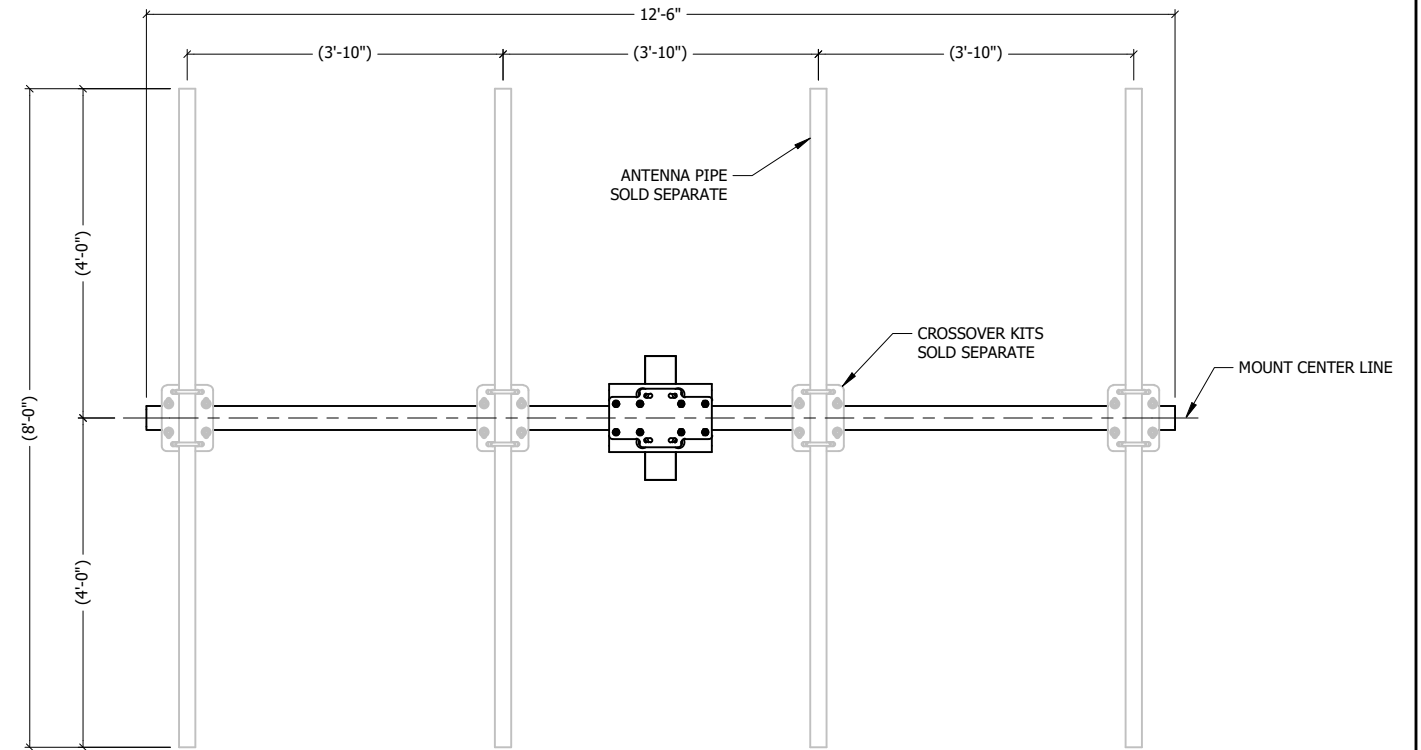
TITLE: 3-SEC MONOPOLE T-ARM FRAME, 36" STAND-OFF
3-1/2" SQ TUBE FACE X 12'-6" LONG

SERIES: MONOPOLE MOUNTING SHEET: 1 OF 2

DRAWN BY: RJ DATE: 12/29/2023 CHK'D BY: KY
DRAWING NO. MTTF3-3612



TOP VIEW



VIEW A-A

<p>THIS DESIGN AND INFORMATION CONTAINED ON THIS PRINT IS THE PROPERTY OF VALLEY FAB CORPORATION. ANY REPRODUCTION, DUPLICATION OR TRANSFER OF THE PROPRIETARY CONTENT IS PROHIBITED WITHOUT WRITTEN PERMISSION.</p>	
<p>STANDARD TOLERANCES: (UNLESS OTHERWISE NOTED) FRACTIONS ±1/16" DECIMALS ±0.01" ANGLES ±0.5°</p>	<p>NEWAVE TOWER COMPONENTS, 503-792-3739 10910 PORTLAND RD. BROOKS, OR 97305</p>
<p>TOTAL WT: 888 LB</p>	<p>QTY:</p>
<p>FINISH: HDG</p>	<p>JOB #:</p>

<p>TITLE: 3-SEC MONOPOLE T-ARM FRAME, 36" STAND-OFF 3-1/2" SQ TUBE FACE X 12'-6" LONG</p>			<p>DRAWN BY: RJ</p>	<p>DATE: 12/29/2023</p>	<p>CHK'D BY: KY</p>
<p>SERIES: MONOPOLE MOUNTING</p>	<p>SHEET: 2 OF 2</p>	<p>DRAWING NO. MTTF3-3612</p>			