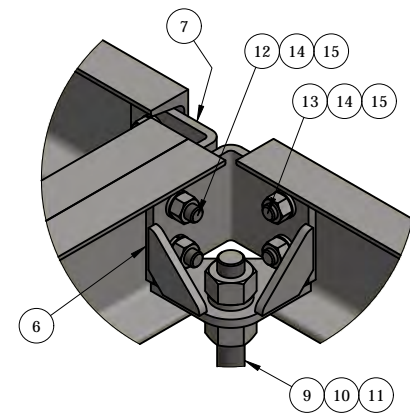
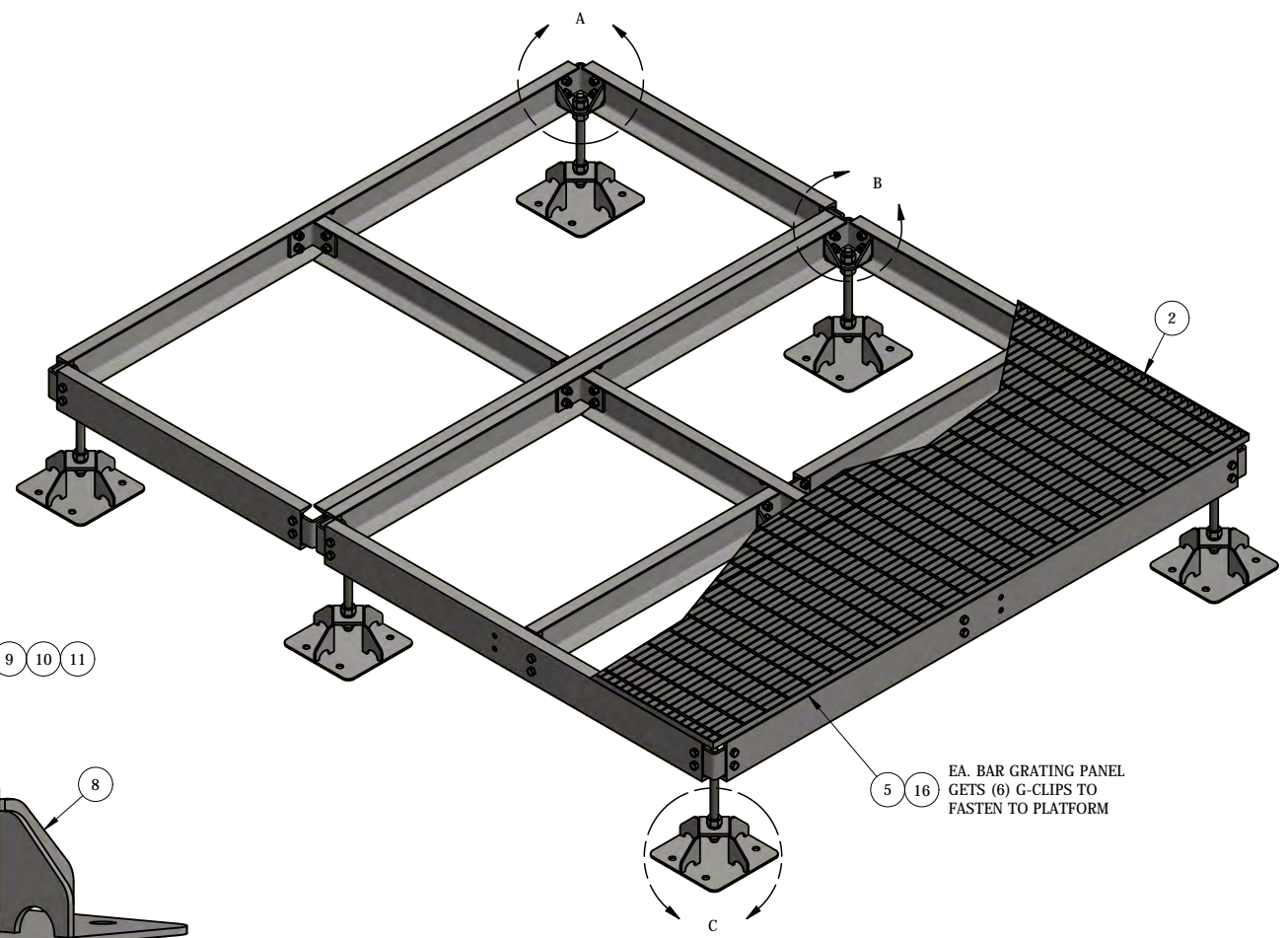


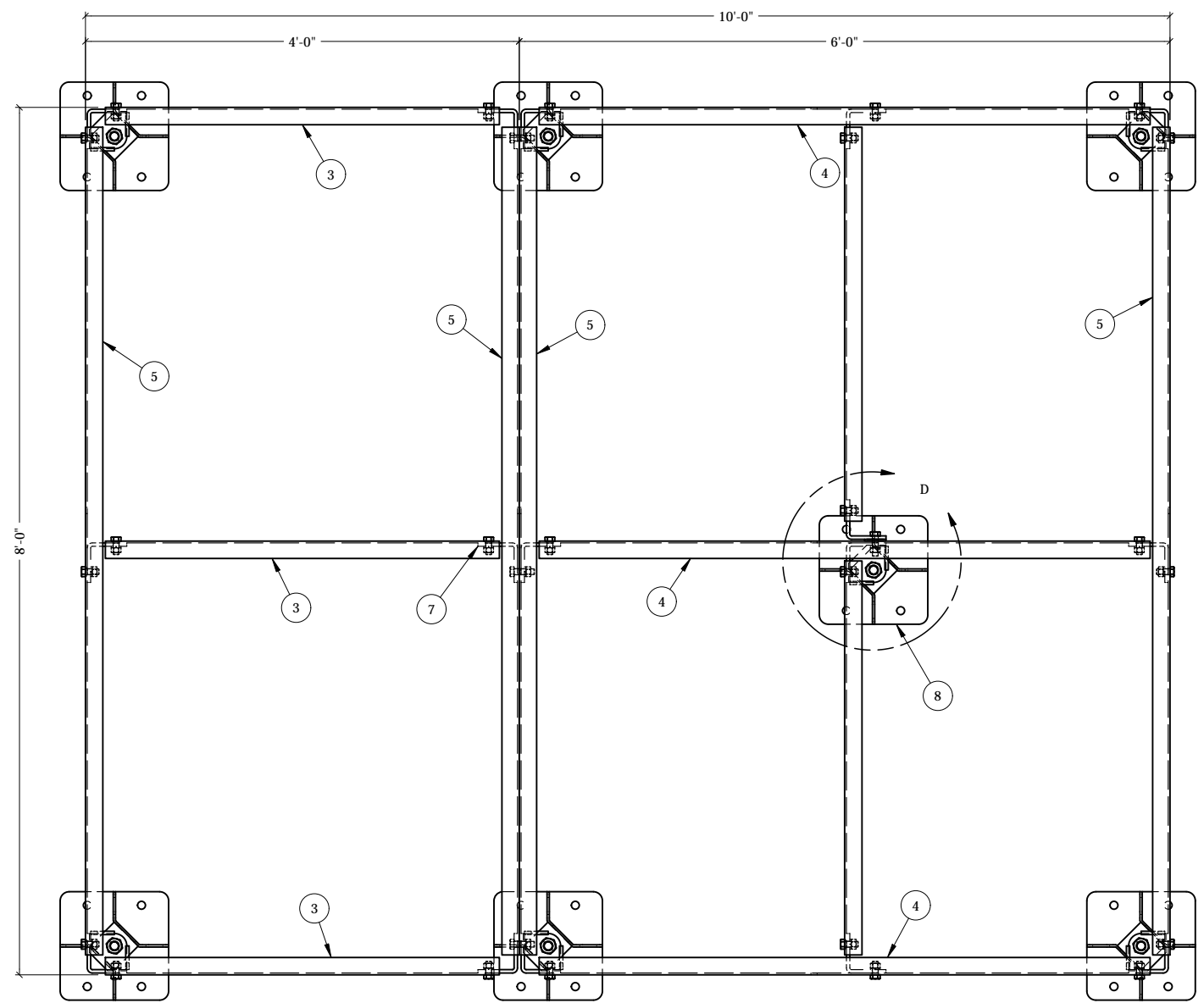
DETAIL - A



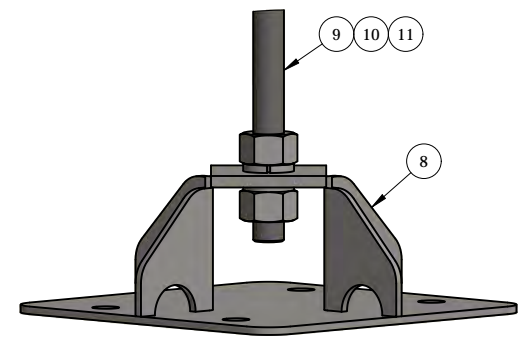
DETAIL - B



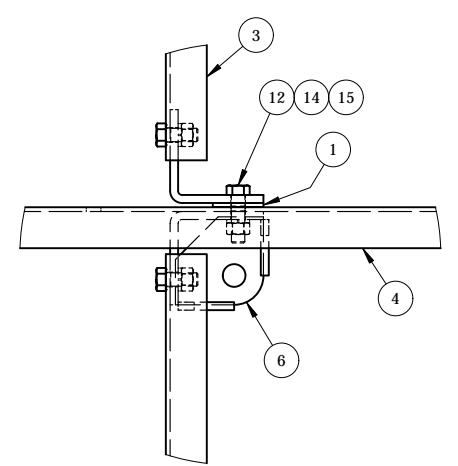
EA. BAR GRATING PANEL GETS (6) G-CLIPS TO FASTEN TO PLATFORM



PLAN VIEW



DETAIL - C



DETAIL - D

ITEM	PART #	QTY	DESCRIPTION	LENGTH	FINISH	UNIT WT
1	AF0M.01	1	3/16" PLATE		HDG	0.46
2	AF2M.96	5	(19W-4) 1" x 3/16" B.G. @ 2' WIDE	8'	HDG	117.71
3	AF4M.01	5	C6x8.2	3'-7 5/8"	HDG	32.51
4	AF6M.01	3	C6x8.2	5'-7 5/8"	HDG	50.37
5	AF8M.01	4	C6x8.2	7'-7 5/8"	HDG	68.31
6	AFCB.01	7	CORNER BRACKET WELDMENT		HDG	5.60
7	AFCB.02	9	3/8" PLATE		SEE W/O	3.34
8	AFBP.01	7	BASE PLATE WELDMENT		HDG	15.63
9	27-5740-005	7	1" x 14" A36 HDG ALL-THREAD	1'-2"		3.12
10	27-5704-005	28	1 HDG LOCK WASHER			0.09
11	27-5700-005	28	1 HDG HEAVY HEX NUT			0.47
12	27-4404-005	8	5/8" x 2 1/4" GR.5 HDG BOLT			0.29
13	27-4401-005	48	5/8" x 1 1/2" GR.5 HDG BOLT			0.23
14	27-5380-005	56	5/8 HDG LOCK WASHER			0.03
15	27-5391-005	56	5/8" HDG HEX NUT			0.08
16	25-GG1A CLIP	30	GRATING G-CLIP			0.00

THIS DESIGN AND INFORMATION CONTAINED ON THIS PRINT IS THE PROPERTY OF VALLEY FAB CORPORATION. ANY REPRODUCTION, DUPLICATION OR TRANSFER OF THE PROPRIETARY CONTENT IS PROHIBITED WITHOUT WRITTEN PERMISSION.

STANDARD TOLERANCES:
(UNLESS OTHERWISE NOTED)
FRACTIONS -1/16"
DECIMALS -0.01"
ANGLES -0.5°

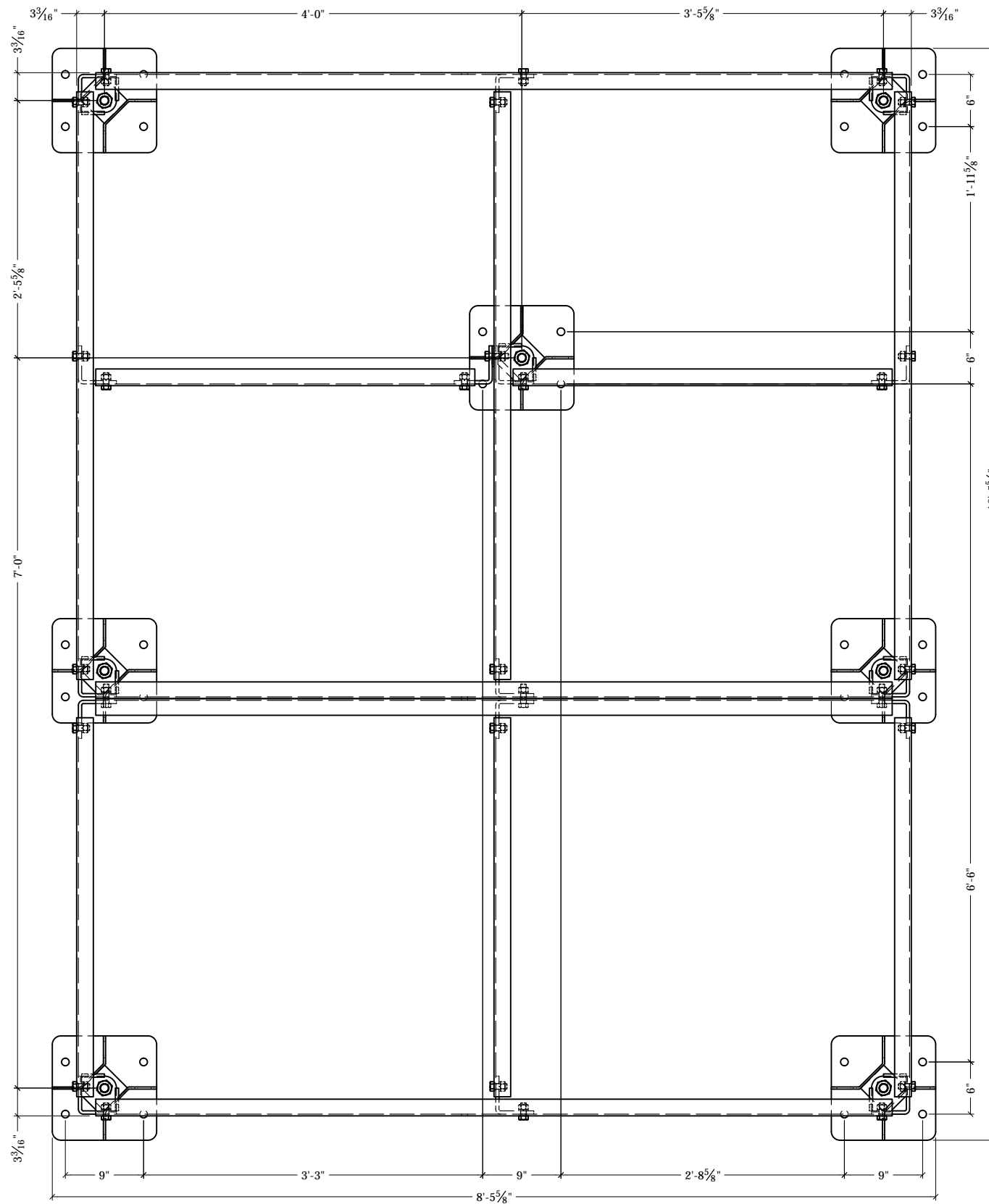
NEWAVE
TOWER COMPONENTS, 503-792-3739
10910 PORTLAND RD. BROOKS, OR 97305

TOTAL WT: 1411.5 LB
QTY:
FINISH:
JOB #:

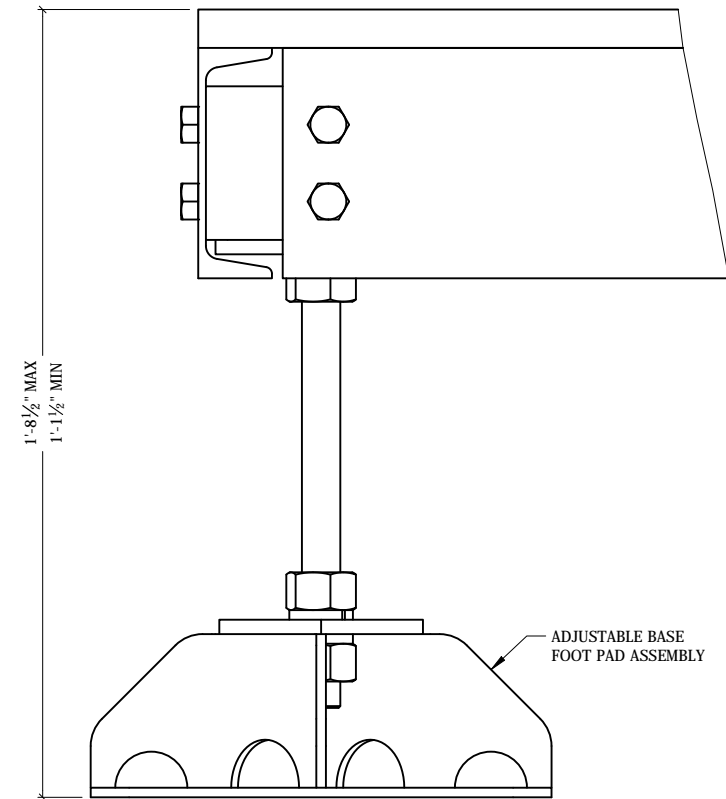
TITLE: **8' x 10' MODULAR PLATFORM WITH (7) FEET**

SERIES: PLATFORMS SHEET: 1 OF 2

DRAWN BY: JG DATE: 5/1/2020 CHK'D BY: CJW
DRAWING NO. AF810M-7



FOOT PAD LAYOUT



ELEVATION

THIS DESIGN AND INFORMATION CONTAINED ON THIS PRINT IS THE PROPERTY OF VALLEY FAB CORPORATION. ANY REPRODUCTION, DUPLICATION OR TRANSFER OF THE PROPRIETARY CONTENT IS PROHIBITED WITHOUT WRITTEN PERMISSION.

STANDARD TOLERANCES:

(UNLESS OTHERWISE NOTED)
 FRACTIONS - 1/16"
 DECIMALS - 0.01"
 ANGLES - 0.5°



TOWER COMPONENTS, 503-792-3739
 10910 PORTLAND RD. BROOKS, OR 97305

TOTAL WT: 1411.5 LB

QTY:

FINISH:

JOB #:

TITLE: 8' x 10' MODULAR PLATFORM WITH (7) FEET

SERIES: PLATFORMS

DRAWN BY:	DATE:	CHK'D BY:
JG	5/1/2020	CJW

DRAWING NO. AF810M-7

SHEET: 2 OF 2