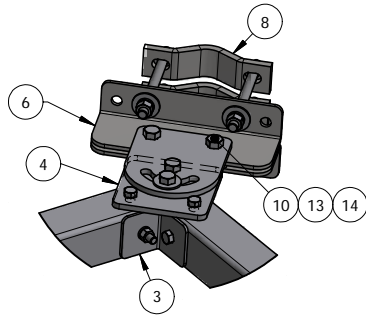
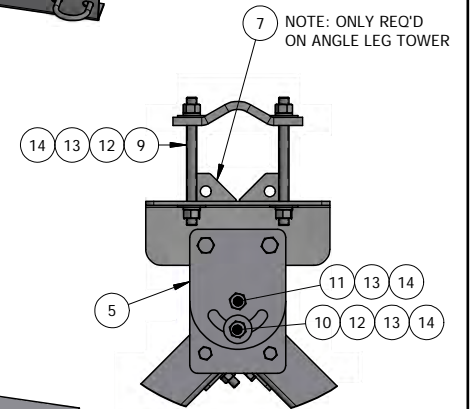
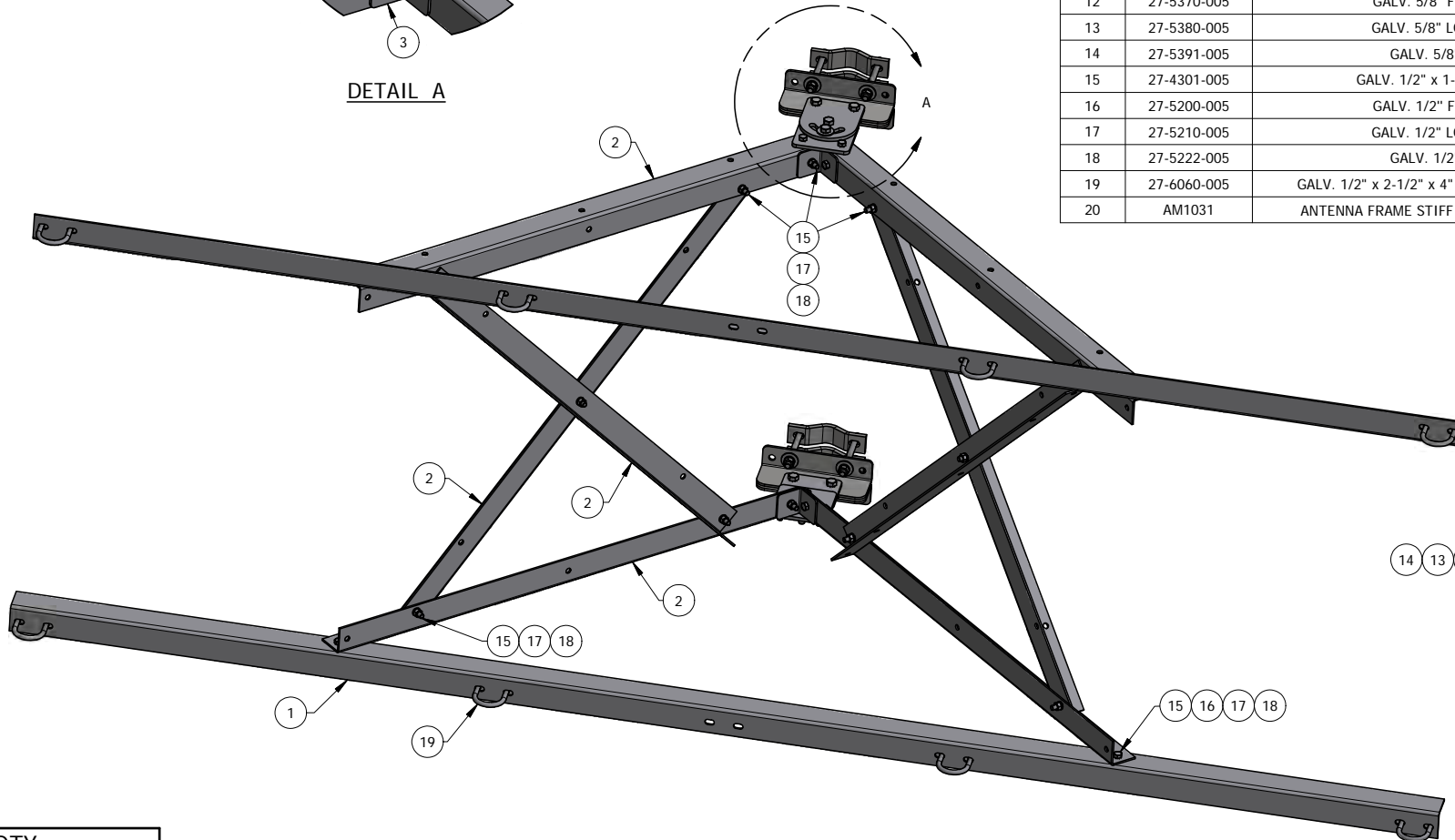


| REV | BY | DESCRIPTION | DATE |
|-----|----|-----------------------------------|-----------|
| A | KY | SEE MODEL PROPERTIES/ COMMENTS | 2/29/2016 |

| ITEM | PART # | DESCRIPTION | QTY | UNIT WT |
|------|--------------|---|-----|---------|
| 1 | AM1002-12.01 | SECTOR FRAME, 3/16" BENT PL FACE ANGLE, 12'-6" LONG | 2 | 45.28 |
| 2 | AM1002.01 | 3/16" SECTOR FRAME BRACE PLATE | 8 | 17.21 |
| 3 | AM1002.02 | 3/16" BENT CONNECTION PLATE | 2 | 0.88 |
| 4 | AM1002.03 | 3/8" SECTOR FRAME PIVOT PLATE | 2 | 3.67 |
| 5 | AM1005-10.11 | 3/8" BOOM GATE ROTATABLE MOUNT PLATE | 2 | 3.94 |
| 6 | AM1029-U.01 | UNIVERSALTOWER LEG "L" BENT MOUNT PLATE | 4 | 4.82 |
| 7 | AM1029-U.02 | UNIVERSAL ANGLE MOUNT PLATE (FOR ANGLE LEG ONLY) | 2 | 1.98 |
| 8 | AMCS-5.01 | HALF CLAMP FOR 2-3/8" TO 5-1/2" ROUND MEMBER | 4 | 2.24 |
| 9 | TR58-8 | GALV. 5/8" x 8" ALL-THREAD | 8 | 0.69 |
| 10 | 27-4404-005 | GALV. 5/8" x 2-1/4" GR.5 BOLT | 6 | 0.29 |
| 11 | 27-4403-005 | GALV. 5/8" x 2" GR.5 BOLT | 2 | 0.27 |
| 12 | 27-5370-005 | GALV. 5/8" FLAT WASHER | 18 | 0.07 |
| 13 | 27-5380-005 | GALV. 5/8" LOCK WASHER | 24 | 0.03 |
| 14 | 27-5391-005 | GALV. 5/8" HEX NUT | 24 | 0.08 |
| 15 | 27-4301-005 | GALV. 1/2" x 1-1/2" GR.5 BOLT | 22 | 0.13 |
| 16 | 27-5200-005 | GALV. 1/2" FLAT WASHER | 4 | 0.04 |
| 17 | 27-5210-005 | GALV. 1/2" LOCK WASHER | 22 | 0.01 |
| 18 | 27-5222-005 | GALV. 1/2" HEX NUT | 22 | 0.04 |
| 19 | 27-6060-005 | GALV. 1/2" x 2-1/2" x 4" GR-5 U-BOLT ASSEMBLY | 8 | 0.76 |
| 20 | AM1031 | ANTENNA FRAME STIFF ARM KIT (NOT SHOWN) | 1 | 39.52 |



DETAIL A



DETAIL A
TOP VIEW

| |
|------|
| QTY: |
| CHK: |

STANDARD TOLERANCES:
(UNLESS OTHERWISE NOTED)
FRACTIONS ±1/16"
DECIMALS ±.005"
ANGLES ±.5°

THIS DESIGN AND INFORMATION CONTAINED ON THIS PRINT IS THE PROPERTY OF NEWAVE TOWER COMPONENTS LLC. ANY REPRODUCTION, DUPLICATION OR TRANSFER OF THE PROPRIETARY CONTENT IS PROHIBITED WITHOUT WRITTEN PERMISSION.



| | |
|-----------------------|---------------------|
| MATERIAL: AS SHOWN | DRAWN BY: KY |
| HOLES: AS SHOWN | CHECKED BY: |
| FINISH: HDG | DATE: 11/20/2012 |

| | | |
|--|--------------------------|------------------|
| TITLE: LIGHT WEIGHT STEEL SECTOR FRAME 12'-6" FACE | | |
| SERIES: TOWER ANTENNA MOUTNING | | |
| PART WT (BARE): 339.1 LB | DRAWING NO. AM1002-12 | SHEET: 1 OF 1 |