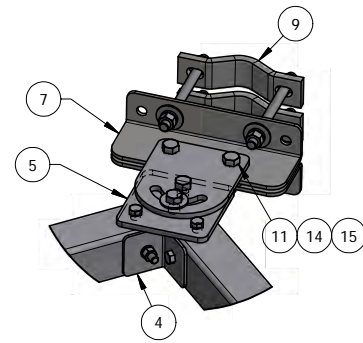
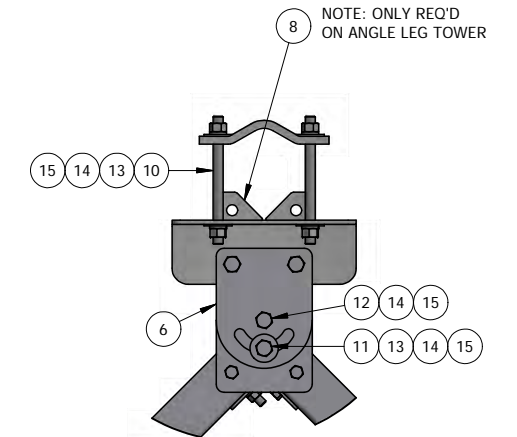
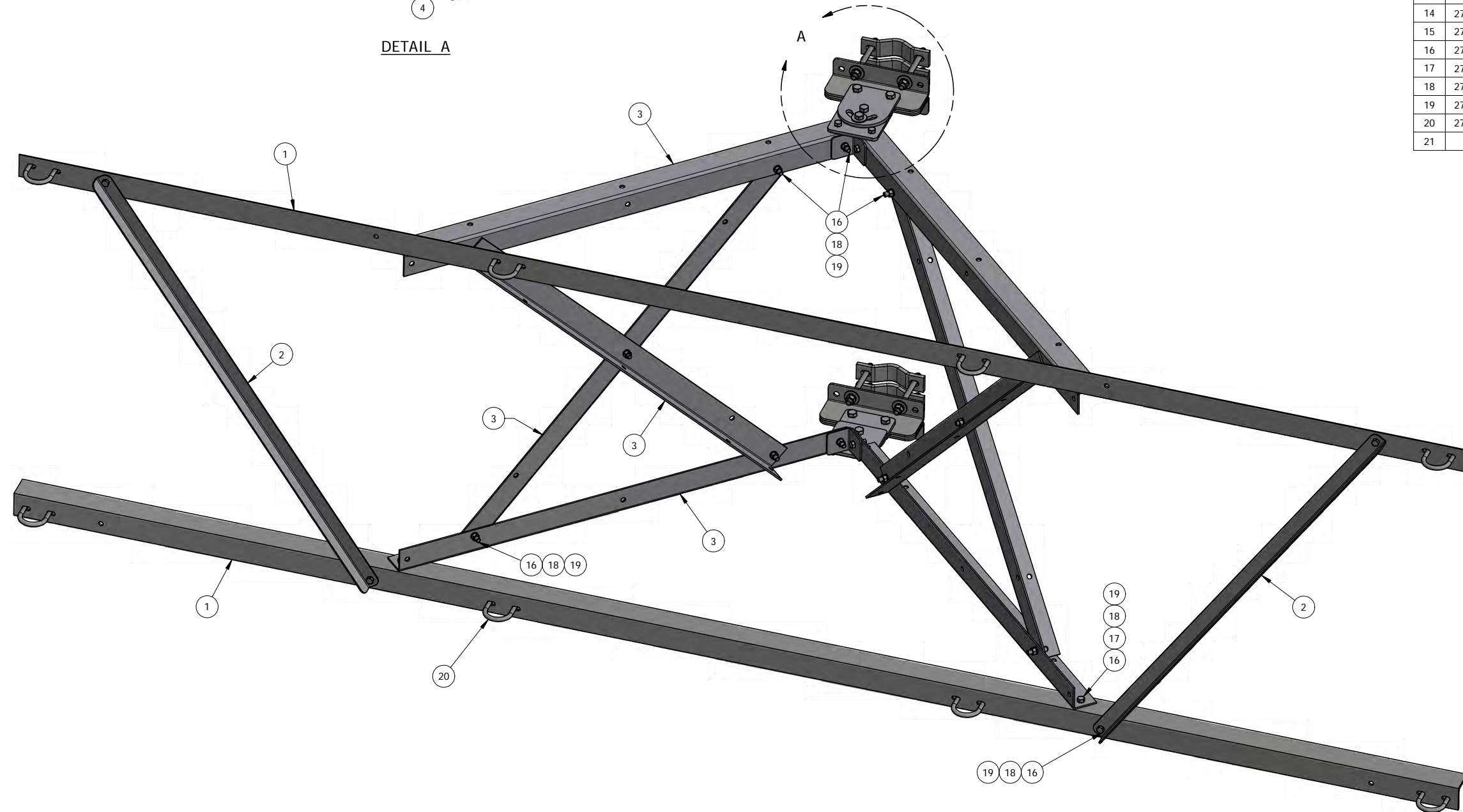


REVISION HISTORY			
REV	BY	DESCRIPTION	DATE
A	KY	SEE MODEL PROPERTIES/ COMMENTS	2/29/2016



DETAIL A



DETAIL A  
TOP VIEW

ITEM	PART NUMBER	DESCRIPTION	QTY	UNIT WT
1	AM1002-14.01	SECTOR FRAME FACE ANGLE, 14'-6" LONG	2	71.28
2	AM1002-14.02	LIGHT WEIGHT STEEL SECTOR FRAME STIFFENER	2	7.46
3	AM1002.01	3/16" SECTOR FRAME BRACE PLATE	8	17.21
4	AM1002.02	3/16" BENT CONNECTION PLATE	2	0.88
5	AM1002.03	3/8" SECTOR FRAME PIVOT PLATE	2	3.67
6	AM1005-10.11	3/8" BOOM GATE ROTATABLE MOUNT PLATE	2	3.94
7	AM1029-U.01	UNIVERSALTOWER LEG "L" BENT MOUNT PLATE	4	4.82
8	AM1029-U.02	UNIVERSAL ANGLE MOUNT PLATE (FOR ANGLE LEG ONLY)	2	1.98
9	AMCS-5.01	HALF CLAMP FOR 2-3/8" TO 5-1/2" ROUND MEMBER	4	2.24
10	TR58-8	GALV. 5/8" x 8" ALL-THREAD	8	0.69
11	27-4404-005	GALV. 5/8" x 2-1/4" GR.5 BOLT	6	0.29
12	27-4403-005	GALV. 5/8" x 2" GR.5 BOLT	2	0.27
13	27-5370-005	GALV. 5/8" FLAT WASHER	18	0.07
14	27-5380-005	GALV. 5/8" LOCK WASHER	24	0.03
15	27-5391-005	GALV. 5/8" HEX NUT	24	0.08
16	27-4301-005	GALV. 1/2" x 1-1/2" GR.5 BOLT	26	0.13
17	27-5200-005	GALV. 1/2" FLAT WASHER	4	0.04
18	27-5210-005	GALV. 1/2" LOCK WASHER	26	0.01
19	27-5222-005	GALV. 1/2" HEX NUT	26	0.04
20	27-6060-005	GALV. 1/2" x 2-1/2" x 4" GR-5 U-BOLT ASSEMBLY	8	0.76
21	AM1031	ANTENNA FRAME STIFF ARM KIT (1-7/8" O.D PIPE) (NOT SHOWN)	1	39.52

QTY:  
CHK:

**STANDARD TOLERANCES:**  
(UNLESS OTHERWISE NOTED)  
FRACTIONS ±1/16"  
DECIMALS ±.005"  
ANGLES ±.5°

THIS DESIGN AND INFORMATION CONTAINED ON THIS PRINT IS THE PROPERTY OF NEWAVE TOWER COMPONENTS LLC. ANY REPRODUCTION, DUPLICATION OR TRANSFER OF THE PROPRIETARY CONTENT IS PROHIBITED WITHOUT WRITTEN PERMISSION.



MATERIAL: AS SHOWN  
HOLES: AS SHOWN  
FINISH: HDG

DRAWN BY: KY  
CHECKED BY:  
DATE: 11/20/2012

TITLE: LIGHT WEIGHT STEEL SECTOR FRAME 14'-6" FACE  
SERIES: TOWER ANTENNA MOUNTING  
PART WT (BARE): 406.8 LB  
DRAWING NO. AM1002-14  
SHEET: 1 OF 1