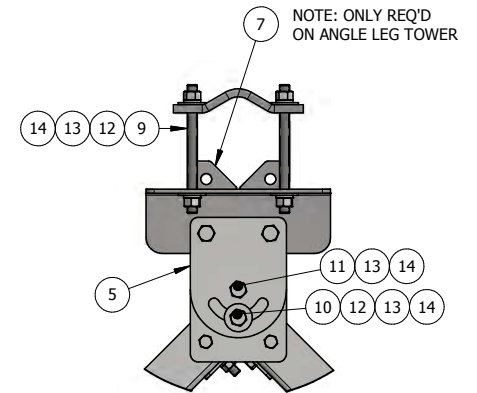
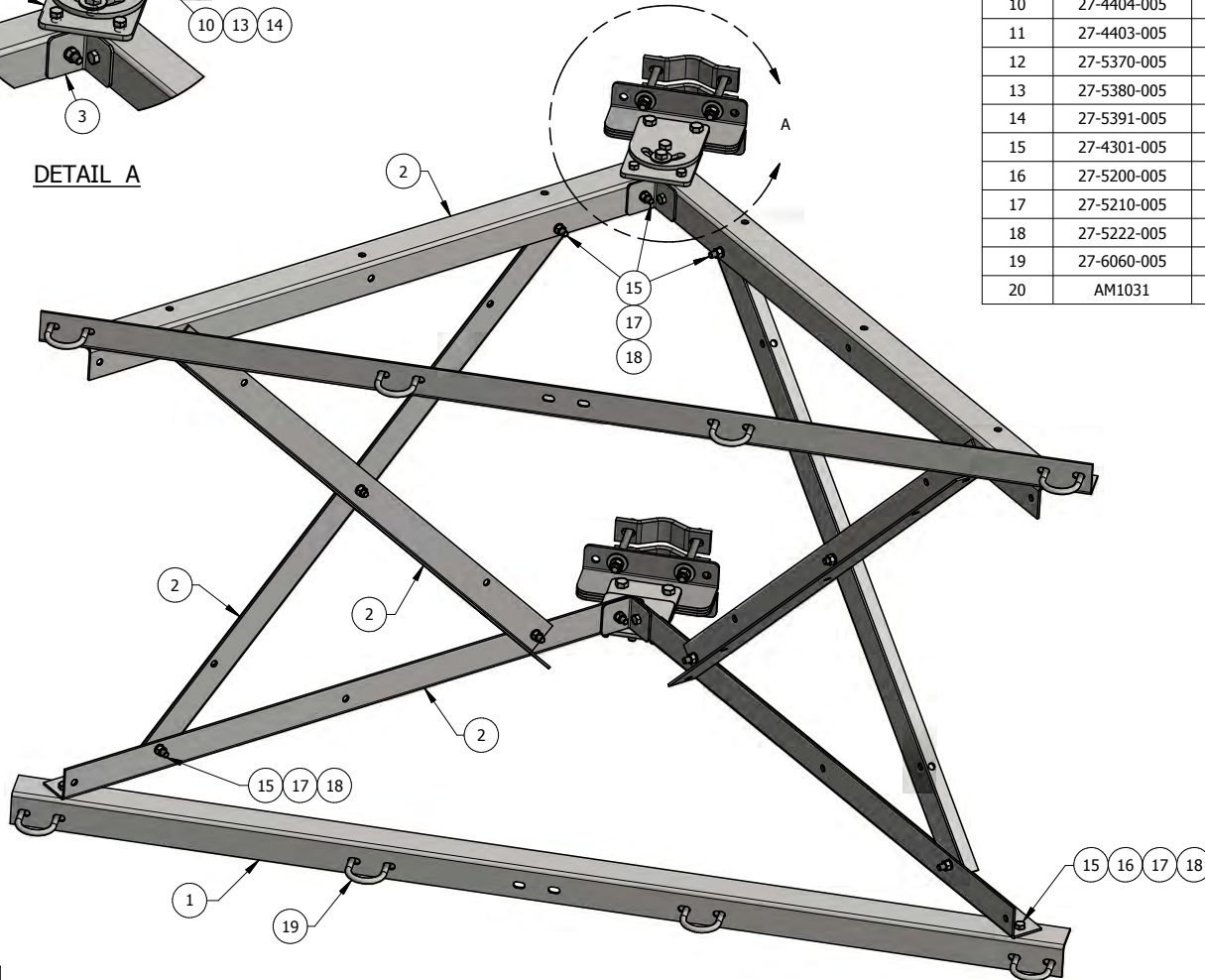


DETAIL A



DETAIL A
TOP VIEW

ITEM	PART #	DESCRIPTION	QTY	UNIT WT
1	AM1002-7.01	SECTOR FRAME, 3/16" BENT PL FACE ANGLE, 7'-6" LONG	2	27.04
2	AM1002.01	3/16" SECTOR FRAME BRACE PLATE	8	17.21
3	AM1002.02	3/16" BENT CONNECTION PLATE	2	0.88
4	AM1002.03	3/8" SECTOR FRAME PIVOT PLATE	2	3.67
5	AM1005-10.11	3/8" BOOM GATE ROTATABLE MOUNT PLATE	2	3.94
6	AM1029-U.01	UNIVERSALTOWER LEG "L" BENT MOUNT PLATE	4	4.82
7	AM1029-U.02	UNIVERSAL ANGLE MOUNT PLATE (FOR ANGLE LEG ONLY)	2	1.98
8	AMCS-5.01	HALF CLAMP FOR 2-3/8" TO 5-1/2" ROUND MEMBER	4	2.24
9	TR58-8	GALV. 5/8" x 8" ALL-THREAD	8	0.69
10	27-4404-005	GALV. 5/8" x 2-1/4" GR.5 BOLT	6	0.29
11	27-4403-005	GALV. 5/8" x 2" GR.5 BOLT	2	0.27
12	27-5370-005	GALV. 5/8" FLAT WASHER	18	0.08
13	27-5380-005	GALV. 5/8" LOCK WASHER	24	0.03
14	27-5391-005	GALV. 5/8" HEX NUT	24	0.08
15	27-4301-005	GALV. 1/2" x 1-1/2" GR.5 BOLT	22	0.13
16	27-5200-005	GALV. 1/2" FLAT WASHER	4	0.04
17	27-5210-005	GALV. 1/2" LOCK WASHER	22	0.01
18	27-5222-005	GALV. 1/2" HEX NUT	22	0.04
19	27-6060-005	GALV. 1/2" x 2-1/2" x 4" GR-5 U-BOLT ASSEMBLY	8	0.76
20	AM1031	ANTENNA FRAME STIFF ARM KIT (NOT SHOWN)	1	39.50

QTY:
CHK:

STANDARD TOLERANCES:
(UNLESS OTHERWISE NOTED)
FRACTIONS ±1/16"
DECIMALS ±.005"
ANGLES ±.5°

THIS DESIGN AND INFORMATION CONTAINED ON THIS PRINT IS THE PROPERTY OF NEWAVE TOWER COMPONENTS LLC. ANY REPRODUCTION, DUPLICATION OR TRANSFER OF THE PROPRIETARY CONTENT IS PROHIBITED WITHOUT WRITTEN PERMISSION.


NEWAVE
 TOWER COMPONENTS. 503-792-3739
 10910 PORTLAND RD. BROOKS, OR 97305

MATERIAL: AS SHOWN
 HOLES: AS SHOWN
 FINISH: HDG

DRAWN BY: KY
 CHECKED BY: -
 DATE: 10/28/2016

TITLE: LIGHT WEIGHT STEEL SECTOR FRAME 7'-6" FACE

SERIES: TOWER ANTENNA MOUTING

PART WT (BARE): 302.8 LB
 DRAWING NO. AM1002-7
 SHEET: 1 OF 1