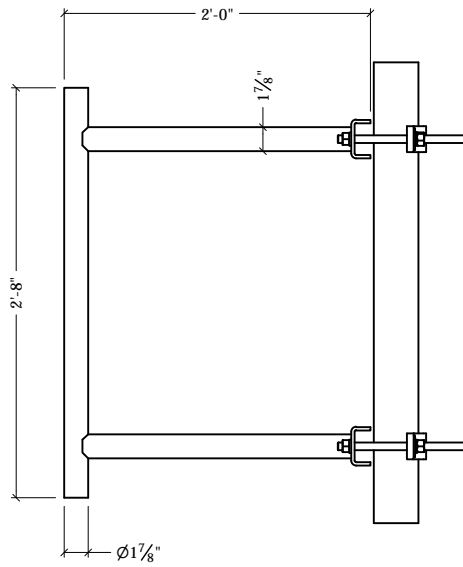
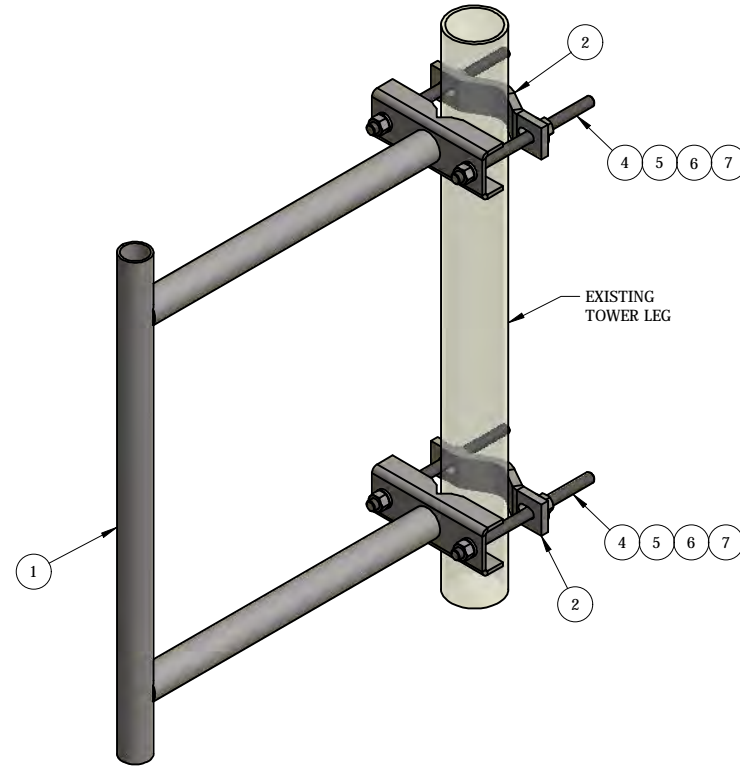


REV	BY	DESCRIPTION	DATE
A	JG	SEE MODEL I PROPERTIES/COMMENTS	12/16/2019



SIDE VIEW



ITEM	PART #	QTY	DESCRIPTION	FINISH	UNIT WT
1	AM1012-24.01	1	24" STAND OFF WELDMENT	HDG	22.31
2	AMCS-5.01	2	1/2" PLATE	SEE W/O	2.25
4	TR58-10	4	5/8" x 10" A36 HDG ALL-THREAD		0.87
5	27-5370-005	4	5/8 A36 HDG FLAT WASHER		0.08
6	27-5380-005	8	5/8 HDG LOCK WASHER		0.03
7	27-5391-005	8	5/8" HDG HEX NUT		0.08

THIS DESIGN AND INFORMATION CONTAINED ON THIS PRINT IS THE PROPERTY OF VALLEY FAB CORPORATION. ANY REPRODUCTION, DUPLICATION OR TRANSFER OF THE PROPRIETARY CONTENT IS PROHIBITED WITHOUT WRITTEN PERMISSION.

**STANDARD TOLERANCES:**

(UNLESS OTHERWISE NOTED)

FRACTIONS - 1/16"  
 DECIMALS - 0.01"  
 ANGLES - 0.5°



TOWER COMPONENTS. 503-792-3739  
 10910 PORTLAND RD. BROOKS, OR 97305

TOTAL WT: 31.45 LB

QTY:

FINISH:

JOB #:

TITLE:

24" STAND OFF MOUNT  
 32" VERTICAL FACE PIPE

SERIES: TOWER ANTENNA MOUNT

SHEET: 1 OF 1

DRAWN BY:

JG

DATE:

12/11/2019

CHK'D BY:

KY

DRAWING NO.

AM1012-24