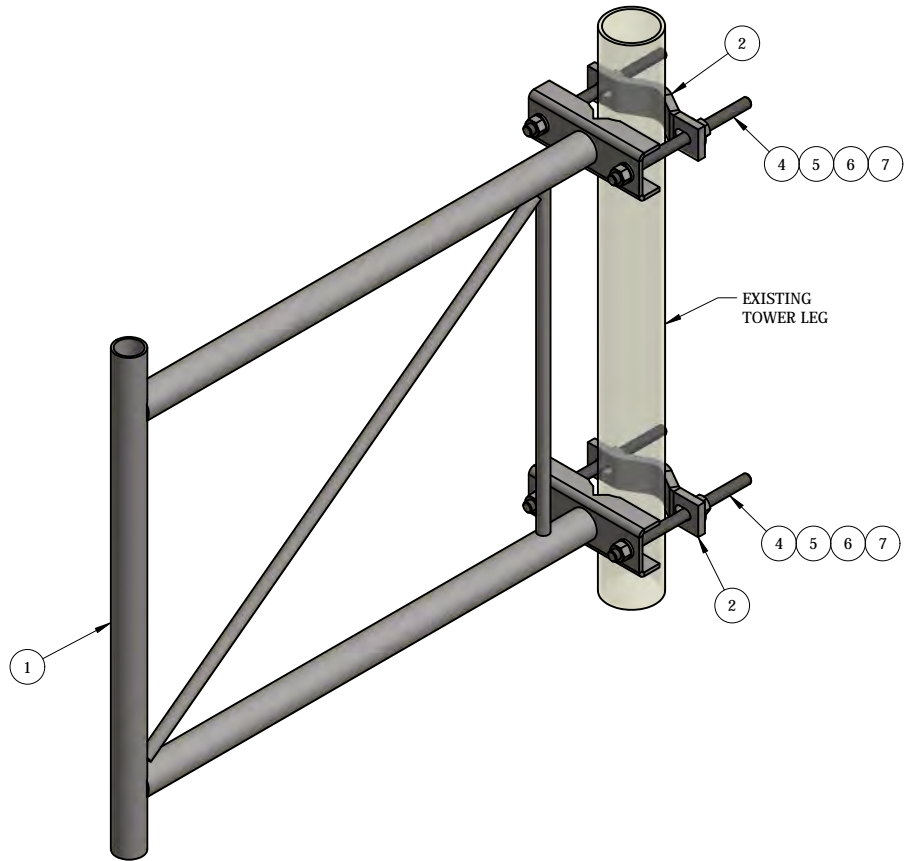


SIDE VIEW



EXISTING
TOWER LEG

THIS DESIGN AND INFORMATION CONTAINED ON THIS PRINT IS THE PROPERTY OF VALLEY FAB CORPORATION. ANY REPRODUCTION, DUPLICATION OR TRANSFER OF THE PROPRIETARY CONTENT IS PROHIBITED WITHOUT WRITTEN PERMISSION.

STANDARD TOLERANCES:

(UNLESS OTHERWISE NOTED)
 FRACTIONS - 1/16"
 DECIMALS - 0.01"
 ANGLES - 0.5°

NEWAVE
 TOWER COMPONENTS. 503-792-3739
 10910 PORTLAND RD. BROOKS, OR 97305

TOTAL WT: 44.15 LB

QTY:

FINISH:

JOB #:

ITEM	PART #	QTY	DESCRIPTION	FINISH	UNIT WT
1	AM1012-36.01	1	36" STAND OFF WELDMENT	HDG	35.01
2	AMCS-5.01	2	1/2" PLATE	SEE W/O	2.25
4	TR58-10	4	5/8" x 10" A36 HDG ALL-THREAD		0.87
5	27-5370-005	4	5/8 A36 HDG FLAT WASHER		0.08
6	27-5380-005	8	5/8 HDG LOCK WASHER		0.03
7	27-5391-005	8	5/8" HDG HEX NUT		0.08

TITLE:		DRAWN BY:		DATE:		CHK'D BY:	
36" STAND OFF MOUNT 32" VERTICAL FACE PIPE		KY		5/14/2021		KY	
SERIES: TOWER ANTENNA MOUNT		DRAWING NO.		AM1012-36			
SHEET: 1 OF 1							