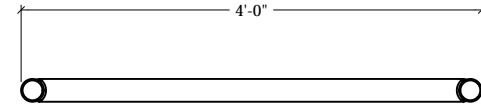
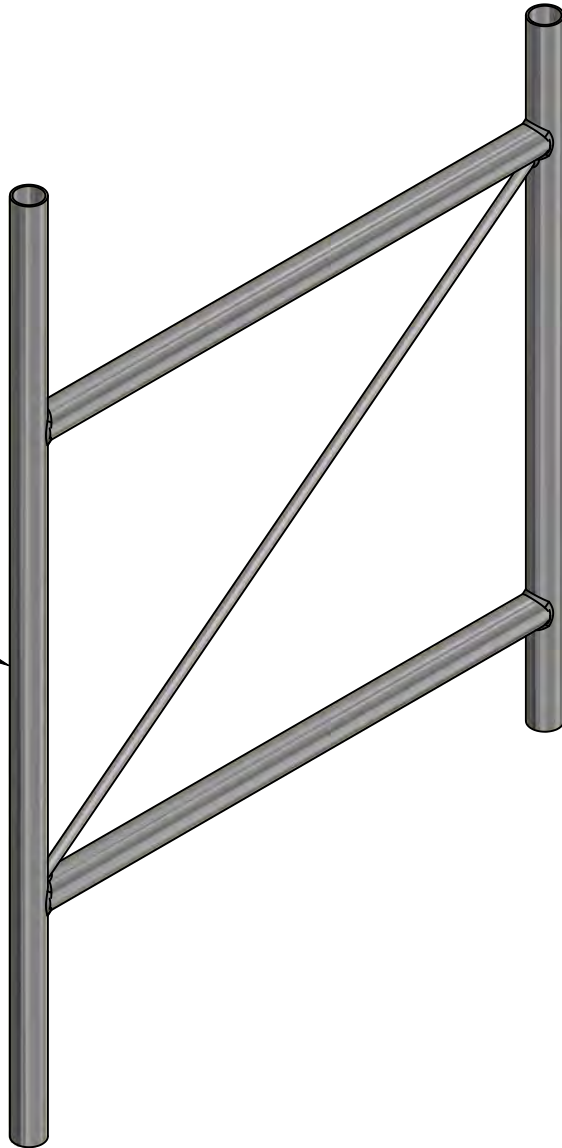
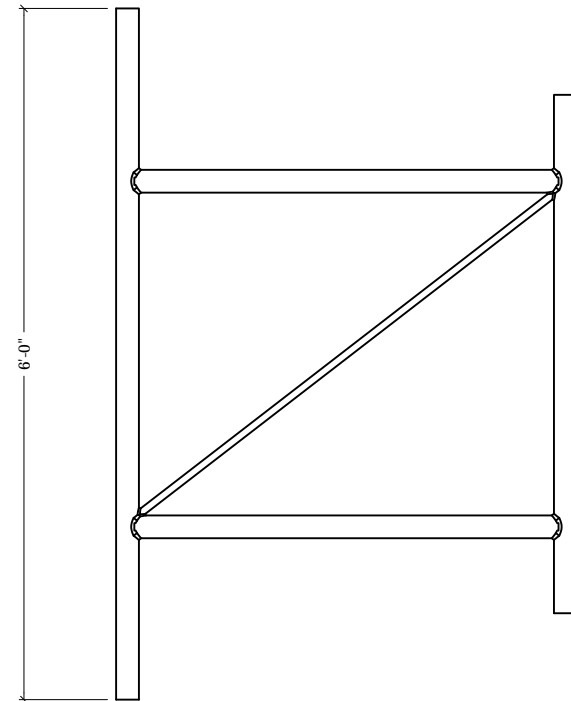


2-3/8" O.D PIPE  
CONSTRUCTION



TOP VIEW



SIDE VIEW

THIS DESIGN AND INFORMATION CONTAINED ON THIS PRINT IS THE PROPERTY OF VALLEY FAB CORPORATION. ANY REPRODUCTION, DUPLICATION OR TRANSFER OF THE PROPRIETARY CONTENT IS PROHIBITED WITHOUT WRITTEN PERMISSION.

**STANDARD TOLERANCES:**

(UNLESS OTHERWISE NOTED)

FRACTIONS - 1/16"  
DECIMALS - 0.01"  
ANGLES - 0.5°

**NEWAVE**  
TOWER COMPONENTS. 503-792-3739  
10910 PORTLAND RD. BROOKS, OR 97305

TOTAL WT: 72 LB

QTY:

FINISH: HDG

JOB #:

TITLE:

PANEL ANTENNA  
36" STAND-OFF MOUNT

SERIES: TOWER ANTENNA MOUNT

SHEET: 2 OF 2

DRAWN BY:

KY

DATE:

9/20/2018

CHK'D BY:

DRAWING NO.

AM1017-48