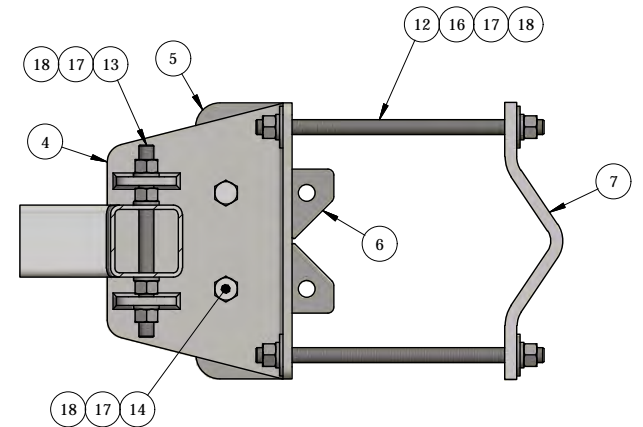


ITEM	PART #	DESCRIPTION	QTY	UNIT WT
1	AM1022-48.01	ADJUSTABLE TAPERED 48" STAND OFF PIPE WELDMENT	1	138.33
2	AM1026-45.04	3/8" BENT ADJUSTABLE SLIDER MOUNT PLATE	1	10.11
3	AM1026-45.05	1/4" BENT ANGLE ARM PLATE	2	5.79
4	AM1026-45.06	BASE ANTENNA MOUNT WELDMENT	1	12.21
5	AM1029-U.01	UNIVERSALTOWER LEG 'L' BENT MOUNT PLATE	2	4.81
6	AM1029-U.02	UNIVERSAL ANGLE MOUNT PLATE (FOR ANGLE LEG ONLY)	2	1.98
7	AMCS-8.01	HALF CLAMP FOR 3-1/2" TO 8-5/8" ROUND MEMBER	4	3.38
8	27-5578-005	3/4" x 18" B7 HDG ALL-THREAD	1	2.25
9	27-5481-005	3/4" A36 HDG FLAT WASHER	2	0.09
10	27-5490-005	3/4" HDG LOCK WASHER	2	0.05
11	27-5501-005	3/4" HDG HEX NUT	2	0.14
12	TR58-12	GALV. 5/8" x 12" ALL-THREAD	8	1.04
13	TR58-8	5/8" x 8" A36 HDG ALL-THREAD	1	0.69
14	27-4404-005	5/8" x 2 1/4" GR.5 HDG BOLT	4	0.29
15	27-4403-005	5/8" x 2" GR.5 HDG BOLT	4	0.27
16	27-5370-005	5/8" A36 HDG FLAT WASHER	16	0.08
17	27-5380-005	5/8" HDG LOCK WASHER	28	0.03
18	27-5391-005	5/8" HDG HEX NUT	28	0.08



DETAIL A

QTY:  
CHK:

**STANDARD TOLERANCES:**  
(UNLESS OTHERWISE NOTED)  
FRACTIONS - 1/16"  
DECIMALS - .005"  
ANGLES - .5°

THIS DESIGN AND INFORMATION CONTAINED ON THIS PRINT IS THE PROPERTY OF NEWAVE TOWER COMPONENTS LLC. ANY REPRODUCTION, DUPLICATION OR TRANSFER OF THE PROPRIETARY CONTENT IS PROHIBITED WITHOUT WRITTEN PERMISSION.

**NEWAVE**  
Tower Components. 503-792-3739  
10910 PORTLAND RD. BROOKS, OR 97305

MATERIAL: AS SHOWN  
HOLES: AS SHOWN  
FINISH: HDG  
DRAWN BY: KY  
CHECKED BY:  
DATE: 1/2/2014

TITLE: ADJUSTABLE TAPERED 48" STAND OFF PIPE MOUNT  
SERIES: TOWER ANTENNA MOUNTING  
PART WT (BARE): 217.7 LB  
DRAWING NO. AM1022-48  
SHEET: 1 OF 1