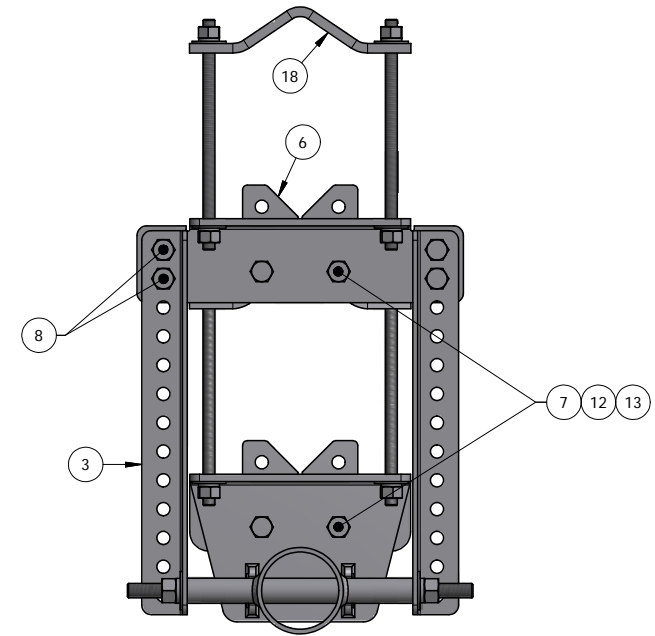




ITEM	PART #	DESCRIPTION	QTY	UNIT WT
1	AM1026-45.01	ADJUSTABLE TAPERED PIPE MAST WELDMENT	1	58.72
2	AM1026-45.04	3/8" BENT ADJUSTABLE SLIDER MOUNT PLATE	1	10.12
3	AM1026-45.05	1/4" BENT ANGLE ARM PLATE	2	5.79
4	AM1026-45.06	BASE ANTENNA MOUNT WELDMENT	1	12.22
5	AM1029-U.01	UNIVERSALTOWER LEG "L" BENT MOUNT PLATE	2	4.82
6	AM1029-U.02	UNIVERSAL ANGLE MOUNT PLATE (FOR ANGLE LEG ONLY)	2	1.98
7	27-5440-005	GALV. 5/8" x 2-1/4" A325 BOLT ASSEMBLY	4	0.31
8	27-5430-005	GALV. 5/8" x 2" A325 BOLT ASSEMBLY	4	0.29
9	TR58-12	GALV. 5/8" x 12" ALL-THREAD	8	1.04
10	TR58-8	GALV. 5/8" x 8" ALL-THREAD	1	0.70
11	27-5370-005	GALV. 5/8" FLAT WASHER	18	0.07
12	27-5380-005	GALV. 5/8" LOCK WASHER	26	0.03
13	27-5390-005	GALV. 5/8" HEAVY HEX NUT	26	0.13
14	27-5578-005	GALV. 3/4" B7 ALL THREAD @ 18" LONG	1	2.25
15	27-5481-005	GALV. 3/4" FLAT WASHER	2	0.09
16	27-5490-005	GALV. 3/4" LOCK WASHER	2	0.05
17	27-5500-005	Galv. 3/4" HEAVY HEX NUT	2	0.21
18	AMCS-8.01	HALF CLAMP FOR 3-1/2" TO 8-5/8" ROUND MEMBER	4	3.39



TOP VIEW

QTY:
CHK:

STANDARD TOLERANCES:
(UNLESS OTHERWISE NOTED)
FRACTIONS ±1/16"
DECIMALS ±.005"
ANGLES ±.5°

THIS DESIGN AND INFORMATION CONTAINED ON THIS PRINT IS THE PROPERTY OF NEWAVE TOWER COMPONENTS LLC. ANY REPRODUCTION, DUPLICATION OR TRANSFER OF THE PROPRIETARY CONTENT IS PROHIBITED WITHOUT WRITTEN PERMISSION.

NEWAVE
Tower Components
503-792-3739
10910 PORTLAND RD. BROOKS, OR 97305

MATERIAL: AS SHOWN
HOLES: AS SHOWN
FINISH: HDG
DRAWN BY: KY
CHECKED BY:
DATE: 3/15/2013

TITLE: ADJUSTABLE TAPERED PIPE MOUNT CLAMP FROM 3-1/2" TO 8-5/8" O.D ROUND
SERIES: TOWER ANTENNA MOUNTING
PART WT (BARE): 139.5 LB
DRAWING NO. AM1026-8
SHEET: 1 OF 1