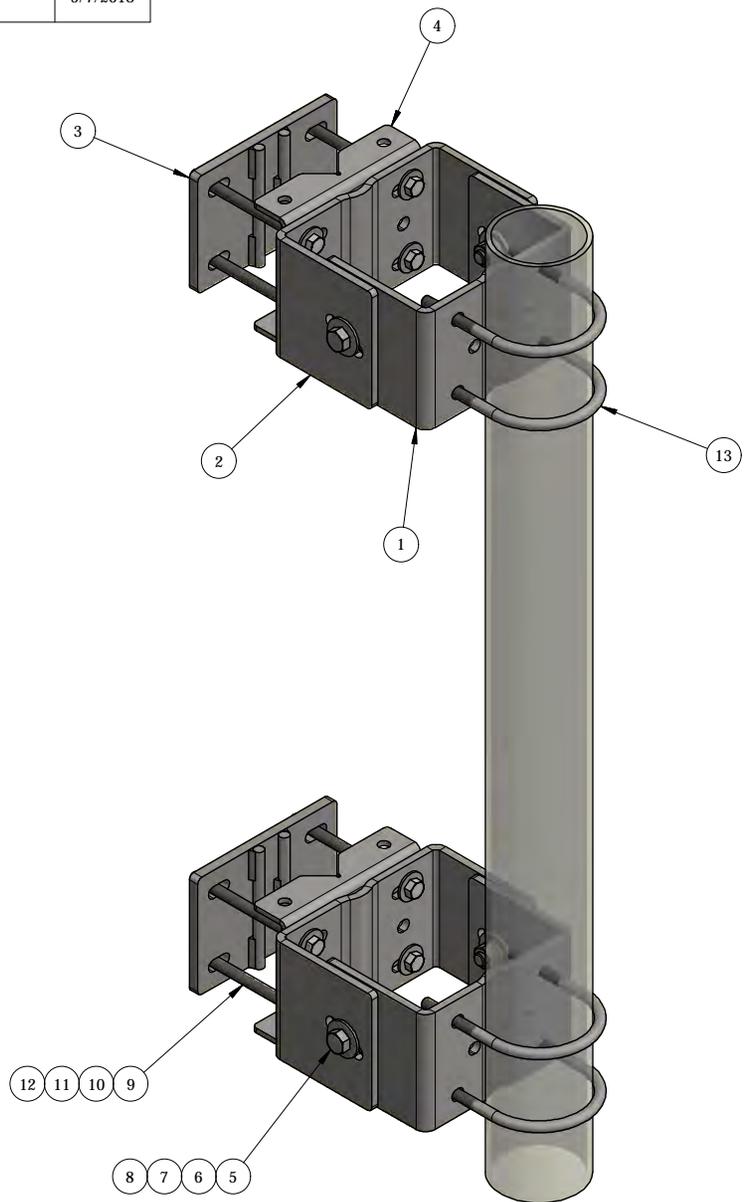
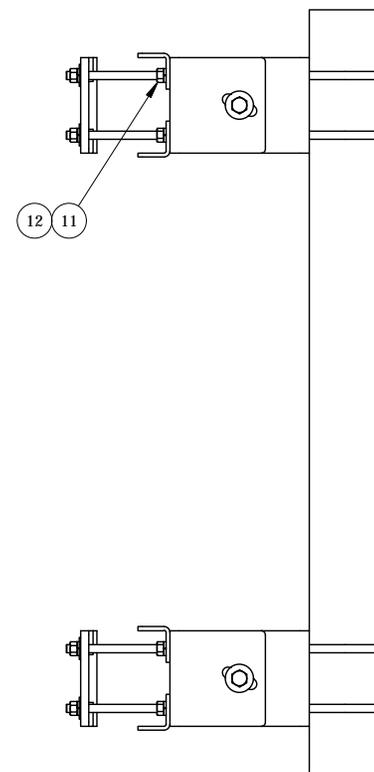


REV	BY	DESCRIPTION	DATE
A	KY	SEE MODEL PROPERTIES/ COMMENTS	5/7/2018



ITEM	PART #	DESCRIPTION	QTY	UNIT WT
1	AM1028-U.01	INSIDE ADJUSTABLE BENT TAPER U-BRACKET	2	12.17
2	AM1028-U.02	OUTSIDE ADJUSTABLE BENT TAPER U-BRACKET	2	12.57
3	AM1028-4R.01	UNIVERSAL CLAMP PLATE WELDMENT	2	7.38
4	AM1028-4U.01	1/4" BENT ANGLE MEMBER CLAMP PLATE	4	1.99
5	27-4403-005	5/8" x 2" GR.5 HDG BOLT	4	0.27
6	27-5370-005	5/8" A36 HDG FLAT WASHER	8	0.08
7	27-5380-005	5/8" HDG LOCK WASHER	4	0.03
8	27-5391-005	5/8" HDG HEX NUT	4	0.08
9	27-4320-005	GALV. 1/2" x 7" GR.5 FULL THREADED BOLT	8	0.44
10	27-5200-005	1/2" A36 HDG FLAT WASHER	16	0.04
11	27-5210-005	1/2" HDG LOCK WASHER	16	0.01
12	27-5222-005	1/2" HDG HEX NUT	16	0.04
13	27-6140-005	GALV. 1/2" x 4 5/8" x 6 1/2" U-BOLT ASSEMBLY	4	1.11



SIDE VIEW

QTY:
CHK:

STANDARD TOLERANCES:

(UNLESS OTHERWISE NOTED)
 FRACTIONS - 1/16"
 DECIMALS - .005"
 ANGLES - .5°

THIS DESIGN AND INFORMATION CONTAINED ON THIS PRINT IS THE PROPERTY OF NEWAVE TOWER COMPONENTS LLC. ANY REPRODUCTION, DUPLICATION OR TRANSFER OF THE PROPRIETARY CONTENT IS PROHIBITED WITHOUT WRITTEN PERMISSION.



MATERIAL: AS SHOWN	DRAWN BY: JG	TITLE: ADJUSTABLE TAPERED PIPE MOUNT FOR 1-1/2" TO 5" O.D ROUND TO 4" ANGLE	
HOLES: AS SHOWN	CHECKED BY: KY	SERIES: TOWER ANTENNA MOUNTING	
FINISH: HDG	DATE: 6/24/2014	PART WT (BARE): 83.8 LB	DRAWING NO. SHEET: AM1028-4U 1 OF 1