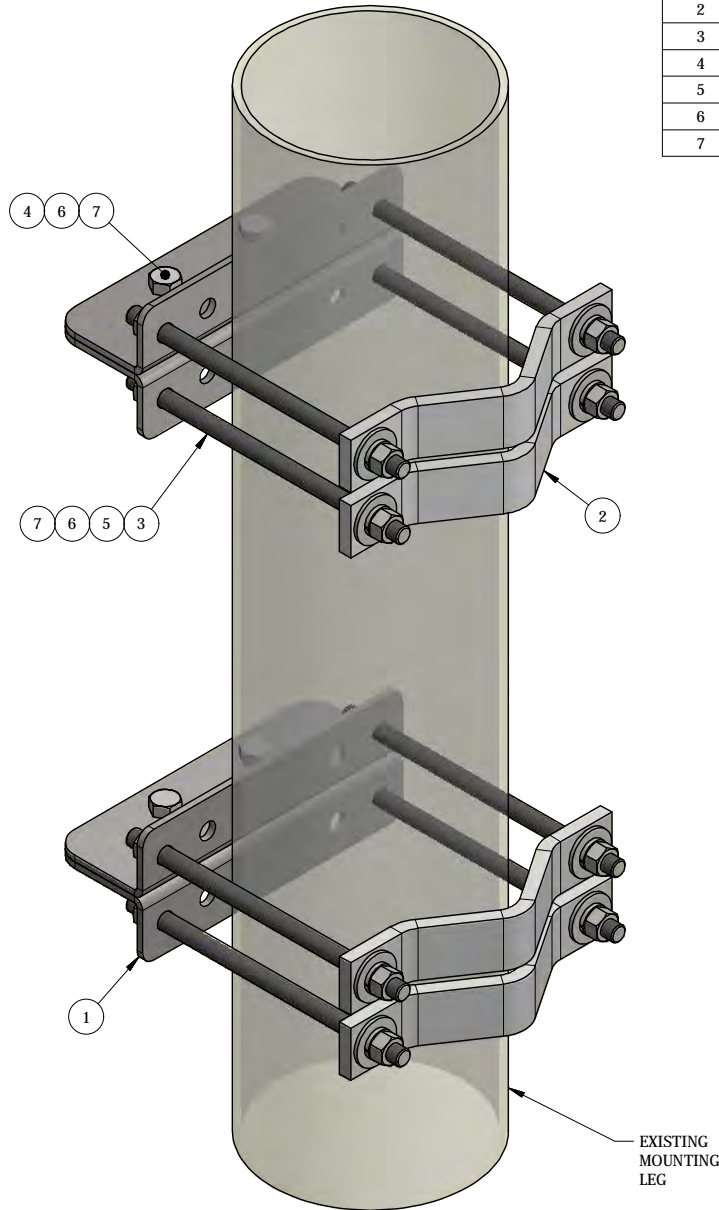


ITEM	PART #	DESCRIPTION	QTY	UNIT WT
1	AM1029-U.01	UNIVERSAL TOWER LEG "L" BENT MOUNT PLATE	4	4.81
2	AMCS-8.01	HALF CLAMP FOR 3-1/2" TO 8-5/8" ROUND MEMBER	4	3.38
3	TR58-12	GALV. 5/8" x 12" ALL-THREAD	8	1.04
4	27-4404-005	GALV. 5/8" x 2-1/4" GR.5 BOLT	4	0.29
5	27-5370-005	GALV. 5/8" FLAT WASHER	8	0.08
6	27-5380-005	GALV. 5/8" LOCK WASHER	20	0.03
7	27-5391-005	GALV. 5/8" HEX NUT	20	0.08



QTY:
CHK:

STANDARD TOLERANCES:
(UNLESS OTHERWISE NOTED)
FRACTIONS - 1/16"
DECIMALS - .005"
ANGLES - .5°

THIS DESIGN AND INFORMATION CONTAINED ON THIS PRINT IS THE PROPERTY OF NEWAVE TOWER COMPONENTS LLC. ANY REPRODUCTION, DUPLICATION OR TRANSFER OF THE PROPRIETARY CONTENT IS PROHIBITED WITHOUT WRITTEN PERMISSION.

NEWAVE
Tower Components
10910 PORTLAND RD. BROOKS, OR 97305
503-792-3739

MATERIAL: AS SHOWN
HOLES: AS SHOWN
FINISH: HDG
DRAWN BY: JG
CHECKED BY: KY
DATE: 1/15/2014

TITLE: UNIVERSAL TOWER LEG MOUNT FOR 4" TO 8-5/8" ROUND MEMBER LEG
SERIES: TOWER ANTENNA MOUNTING
PART WT (BARE): 45.1 LB
DRAWING NO. AM1029-R-28
SHEET: 1 OF 1