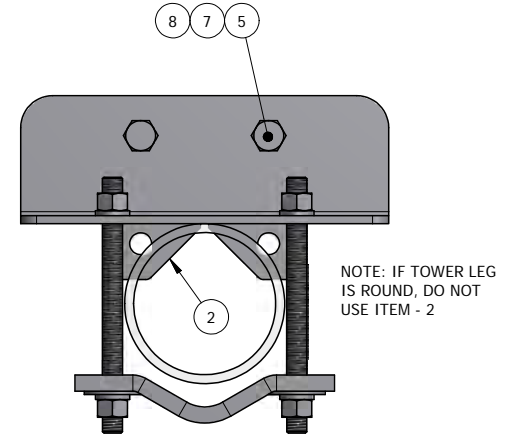
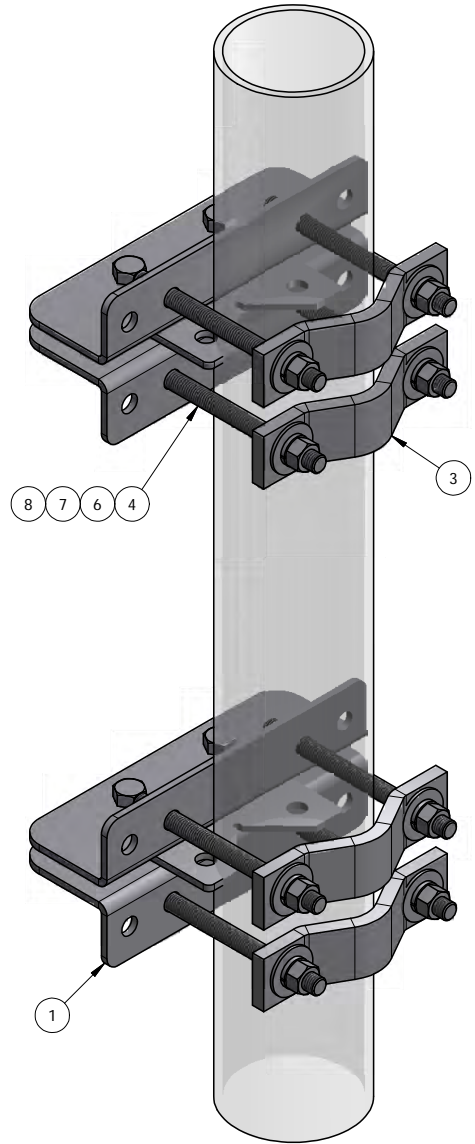


ITEM	PART #	DESCRIPTION	QTY	UNIT WT
1	AM1029-U.01	UNIVERSALTOWER LEG "L" BENT MOUNT PLATE	4	4.82
2	AM1029-U.02	UNIVERSAL ANGLE MOUNT PLATE (FOR ANGLE LEG ONLY)	2	1.98
3	AMCS-5.01	HALF CLAMP FOR 2-3/8" TO 5-1/2" ROUND MEMBER	4	2.24
4	TR58-8	GALV. 5/8" x 8" ALL-THREAD	8	0.70
5	27-4404-005	GALV. 5/8" x 2-1/4" GR.5 BOLT	4	0.29
6	27-5370-005	GALV. 5/8" FLAT WASHER	8	0.07
7	27-5380-005	GALV. 5/8" LOCK WASHER	20	0.03
8	27-5391-005	GALV. 5/8" HEX NUT	20	0.08



TOP VIEW

QTY:
CHK:

STANDARD TOLERANCES: (UNLESS OTHERWISE NOTED) FRACTIONS ±1/16" DECIMALS ±.005" ANGLES ±.5°	THIS DESIGN AND INFORMATION CONTAINED ON THIS PRINT IS THE PROPERTY OF NEWAVE TOWER COMPONENTS LLC. ANY REPRODUCTION, DUPLICATION OR TRANSFER OF THE PROPRIETARY CONTENT IS PROHIBITED WITHOUT WRITTEN PERMISSION.	 NEWAVE TOWER COMPONENTS. 503-792-3739 10910 PORTLAND RD. BROOKS, OR 97305	MATERIAL:	DRAWN BY:	TITLE:			
			AS SHOWN	JG	UNIVERSAL TOWER LEG MOUNT			
			HOLES:	CHECKED BY:	2" TO 5" ROUND AND 1-1/2" TO 4" ANGLE			
			AS SHOWN	KY	SERIES: TOWER ANTENNA MOUNTING			
FINISH:	DATE:	PART WT (BARE):	DRAWING NO.	SHEET:				
HDG	1/16/2014	41.7 LB	AM1029-U-25	1 OF 1				