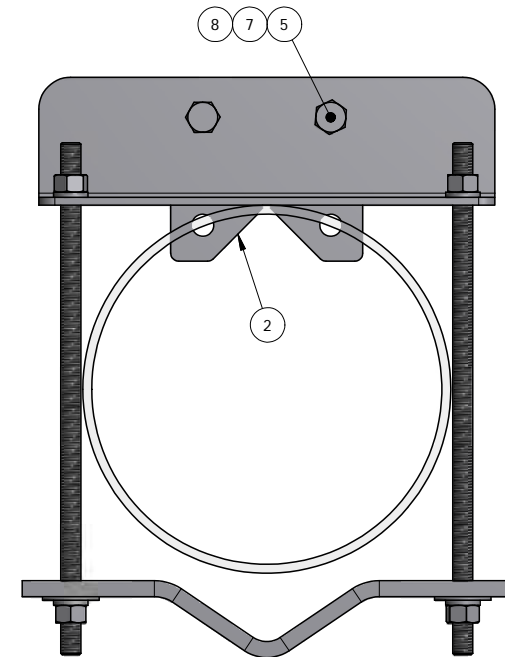
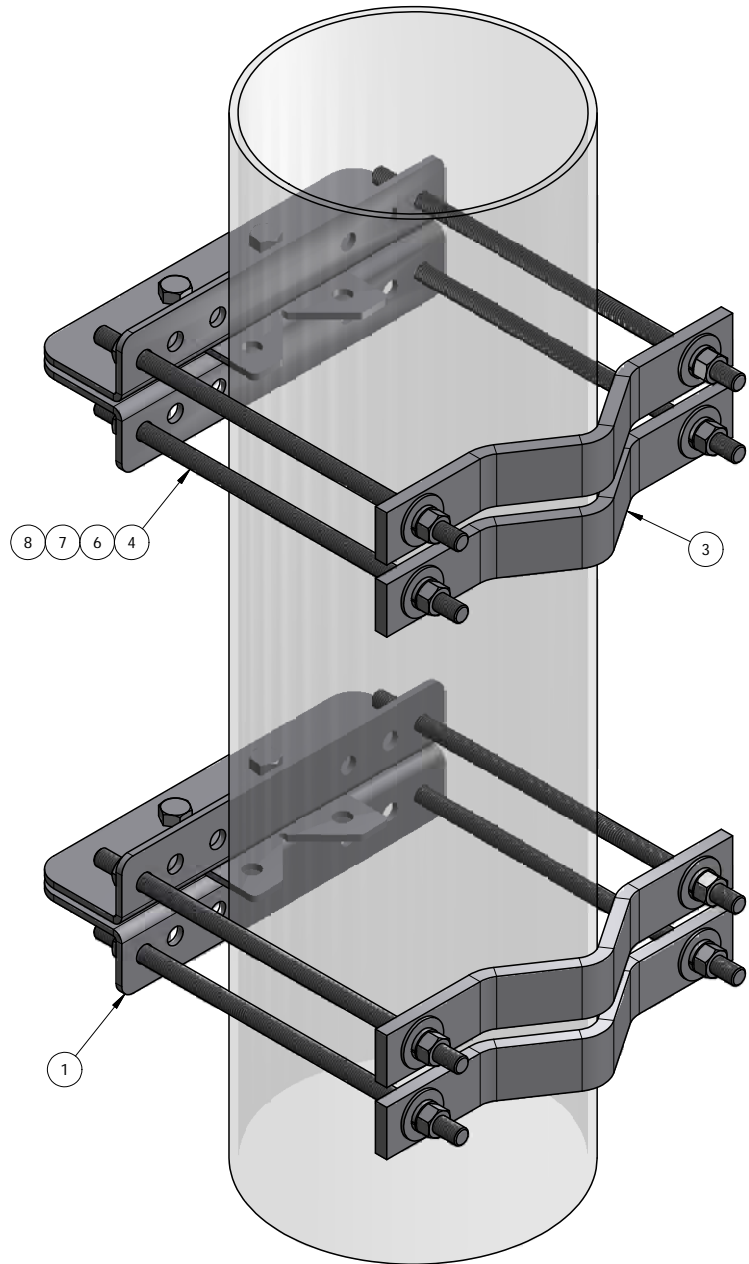


| ITEM | PART #      | DESCRIPTION                                      | QTY |
|------|-------------|--|-----|
| 1    | AM1029-U.03 | UNIVERSAL MOUNT PLATE                            | 4   |
| 2    | AM1029-U.02 | UNIVERSAL ANGLE MOUNT PLATE (FOR ANGLE LEG ONLY) | 2   |
| 3    | AMCS-12.01  | HALF CLAMP FOR 5-1/2" TO 12" O.D ROUND MEMBER    | 4   |
| 4    | TR58-16     | GALV. 5/8" x 16" ALL-THREAD                      | 8   |
| 5    | 27-4404-005 | GALV. 5/8" x 2-1/4" GR.5 BOLT                    | 4   |
| 6    | 27-5370-005 | GALV. 5/8" FLAT WASHER                           | 8   |
| 7    | 27-5380-005 | GALV. 5/8" LOCK WASHER                           | 20  |
| 8    | 27-5391-005 | GALV. 5/8" HEX NUT                               | 20  |



NOTE: IF TOWER LEG IS ROUND, DO NOT USE ITEM - 2

TOP VIEW

**STANDARD TOLERANCES:**

(UNLESS OTHERWISE NOTED)

FRACTIONS ± 1/16"  
 DECIMALS ± .005"  
 ANGLES ± .5°

THIS DESIGN AND INFORMATION CONTAINED ON THIS PRINT IS THE PROPERTY OF NEWAVE TOWER COMPONENTS LLC. ANY REPRODUCTION, DUPLICATION OR TRANSFER OF THE PROPRIETARY CONTENT IS PROHIBITED WITHOUT WRITTEN PERMISSION.

**NEWAVE**  
 TOWER COMPONENTS 503-792-3739  
 10910 PORTLAND RD. BROOKS, OR 97305

MATERIAL: AS SHOWN  
 HOLES: AS SHOWN  
 FINISH: HDG

DRAWN BY: JG  
 CHECKED BY:  
 DATE: 01/16/2014

TITLE: UNIVERSAL TOWER LEG MOUNT  
 6" TO 11-3/4" ROUND AND 1-1/2" TO 6" ANGLE

SERIES: TOWER ANTENNA MOUNTING

PROJECT NO: -  
 DRAWING NO: AM1029-U-512  
 SHEET: 1 OF 1