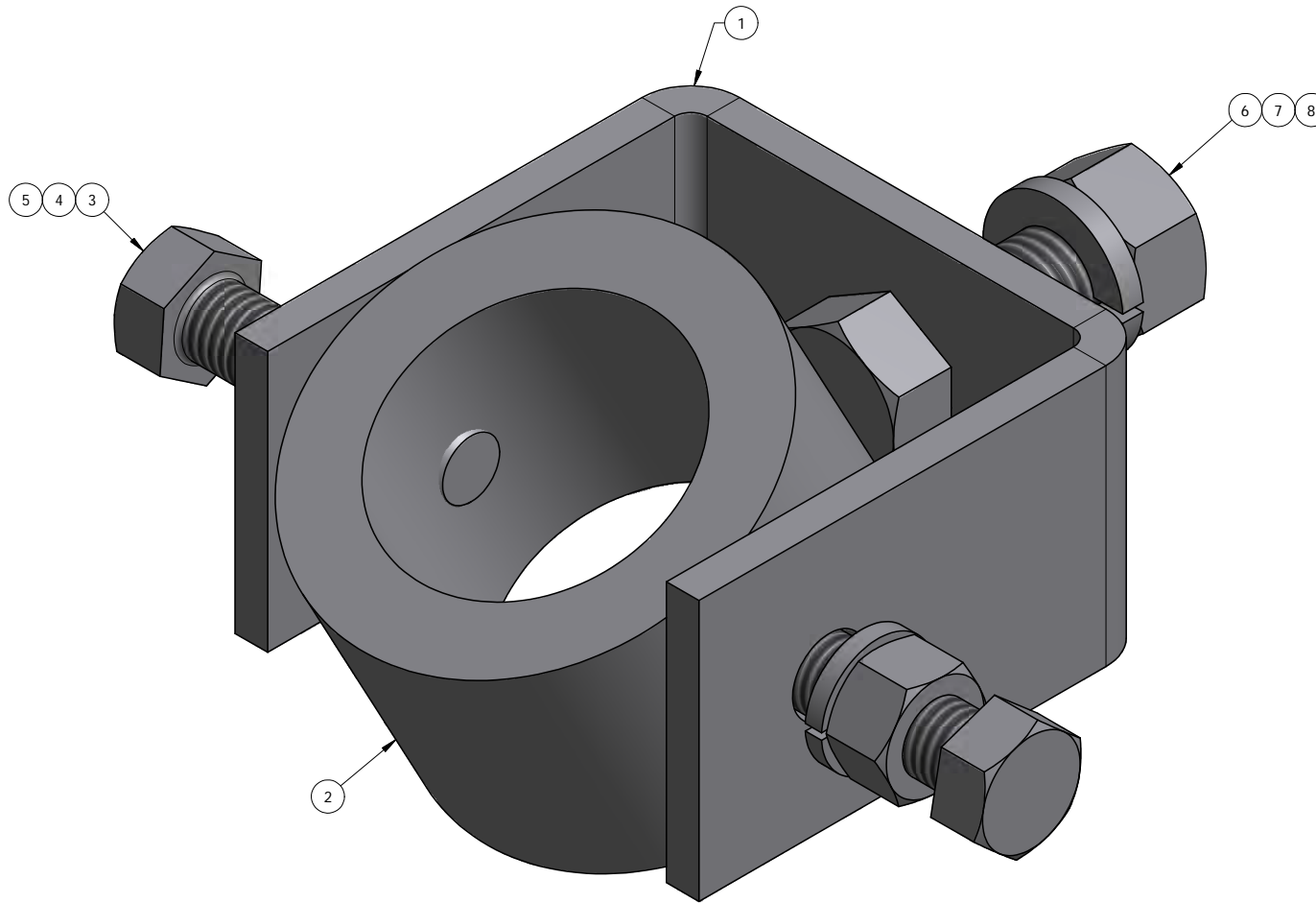


ITEM	PART NUMBER	DESCRIPTION	QTY	UNIT WT
1	AM1031-S1.01	1/4" STIFF ARM SWIVEL PLATE	1	1.34
2	AM1031-S1.02	STIFF ARM SEAMLESS TUBE SLEEVE	1	2.19
3	27-5261-005	GALV. 1/2" x 2" GR.5 FULL THREADED BOLT	2	0.16
4	27-5210-005	GALV. 1/2" LOCK WASHER	2	0.01
5	27-5222-005	GALV. 1/2" HEX NUT	2	0.04
6	27-4403-005	GALV. 5/8" x 2" GR.5 BOLT	1	0.27
7	27-5380-005	GALV. 5/8" LOCK WASHER	1	0.03
8	27-5391-005	GALV. 5/8" HEX NUT	1	0.08



QTY:  
CHK:

**STANDARD TOLERANCES:**  
(UNLESS OTHERWISE NOTED)  
FRACTIONS ±1/16"  
DECIMALS ±.005"  
ANGLES ±.5°

THIS DESIGN AND INFORMATION CONTAINED ON THIS PRINT IS THE PROPERTY OF NEWAVE TOWER COMPONENTS LLC. ANY REPRODUCTION, DUPLICATION OR TRANSFER OF THE PROPRIETARY CONTENT IS PROHIBITED WITHOUT WRITTEN PERMISSION.

**NEWAVE**  
Tower Components. 503-792-3739  
10910 PORTLAND RD. BROOKS, OR 97305

MATERIAL: AS SHOWN  
HOLES: AS SHOWN  
FINISH: HDG  
DRAWN BY: KY  
CHECKED BY:  
DATE: 10/9/2012

TITLE: STIFF ARM SLEEVE MOUNT FOR 1-7/8" O.D PIPE  
SERIES: TOWER ANTENNA MOUNTING  
PART WT (BARE): 4.4 LB  
DRAWING NO. AM1031-S1  
SHEET: 1 OF 1