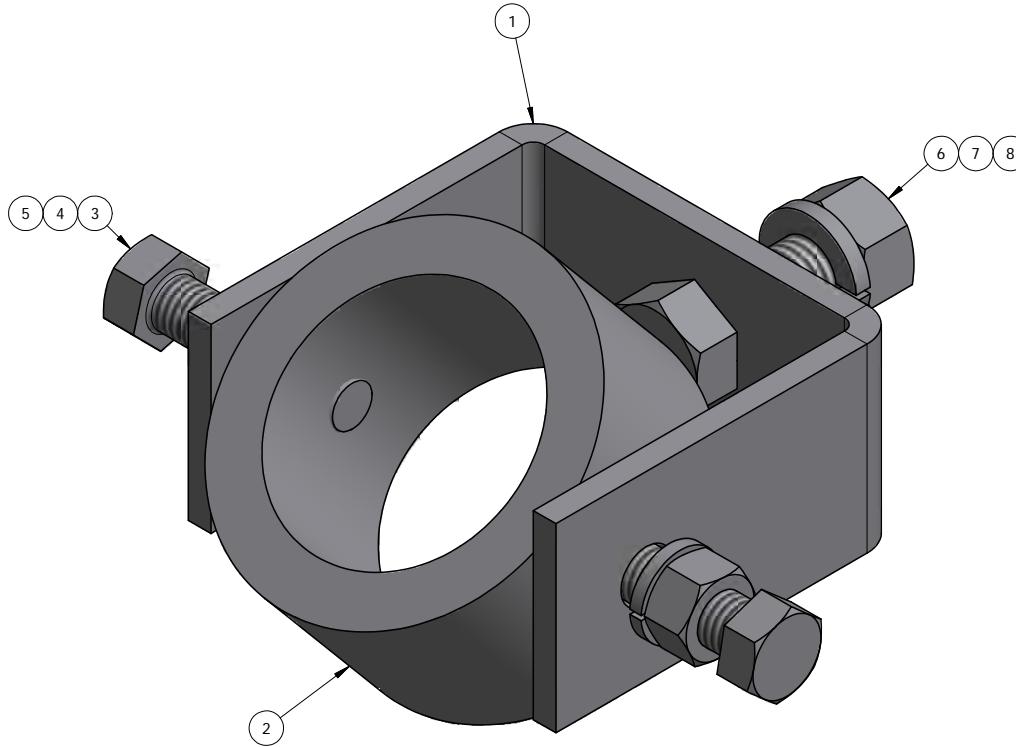


ITEM	PART NUMBER	DESCRIPTION	QTY	UNIT WT
1	AM1031-S2.01	1/4" STIFF ARM SWIVEL PLATE	1	1.49
2	AM1031-S2.02	STIFF ARM SEAMLESS TUBE SLEEVE	1	2.63
3	27-5261-005	GALV. 1/2" x 2" GR.5 FULL THREADED BOLT	2	0.16
4	27-5210-005	GALV. 1/2" LOCK WASHER	2	0.01
5	27-5222-005	GALV. 1/2" HEX NUT	2	0.04
6	27-4403-005	GALV. 5/8" x 2" GR.5 BOLT	1	0.27
7	27-5380-005	GALV. 5/8" LOCK WASHER	1	0.03
8	27-5391-005	GALV. 5/8" HEX NUT	1	0.08



QTY:
CHK:

STANDARD TOLERANCES:
(UNLESS OTHERWISE NOTED)
FRACTIONS ±1/16"
DECIMALS ±.005"
ANGLES ±.5°

THIS DESIGN AND INFORMATION CONTAINED ON THIS PRINT IS THE PROPERTY OF NEWAVE TOWER COMPONENTS LLC. ANY REPRODUCTION, DUPLICATION OR TRANSFER OF THE PROPRIETARY CONTENT IS PROHIBITED WITHOUT WRITTEN PERMISSION.

NEWAVE
Tower Components. 503-792-3739
10910 PORTLAND RD. BROOKS, OR 97305

MATERIAL: AS SHOWN
HOLES: AS SHOWN
FINISH: HDG
DRAWN BY: KY
CHECKED BY:
DATE: 3/29/2016

TITLE: STIFF ARM SLEEVE MOUNT FOR 2-3/8" O.D PIPE
SERIES: TOWER ANTENNA MOUNTING
PART WT (BARE): 5 LB
DRAWING NO. AM1031-S2
SHEET: 1 OF 1