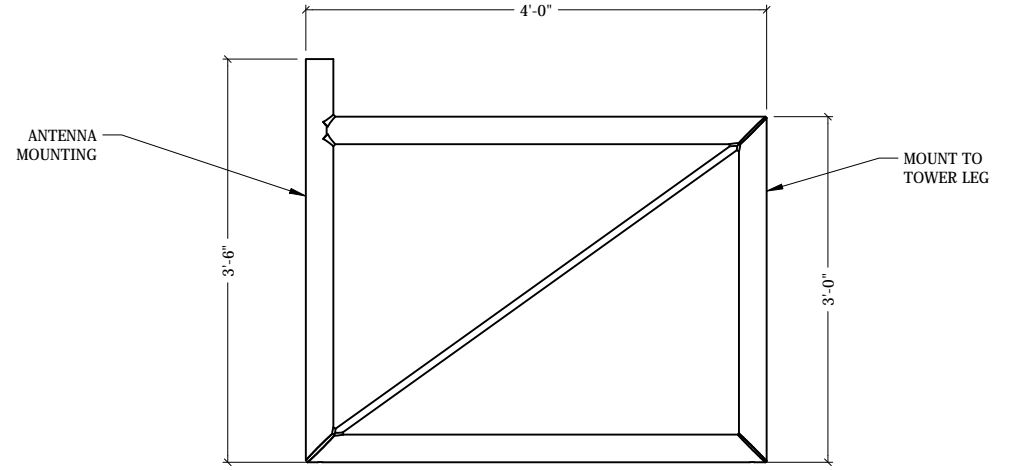
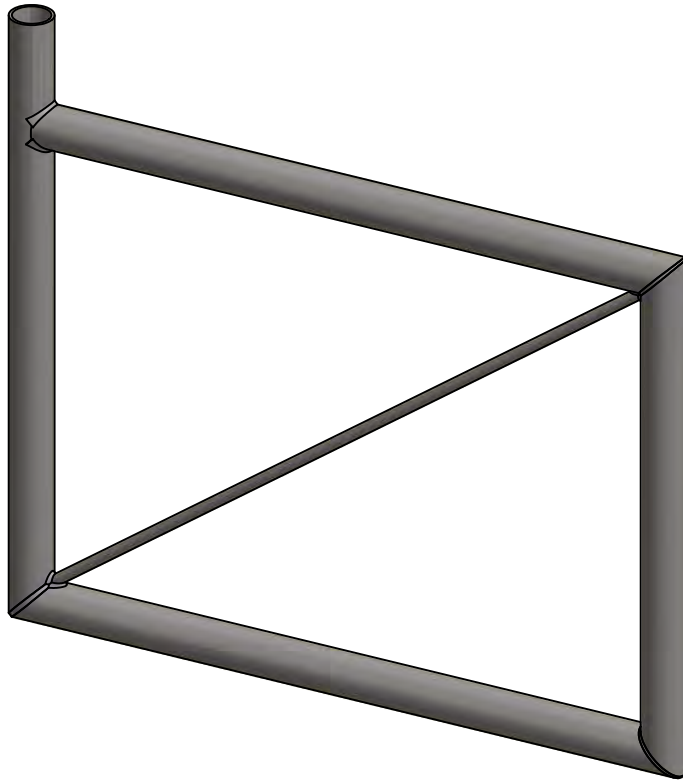


REV	BY	DESCRIPTION	DATE
A	KY	SEE MODEL IPROPERTIES/COMMENTS	8/12/2021




SIDE VIEW

THIS DESIGN AND INFORMATION CONTAINED ON THIS PRINT IS THE PROPERTY OF VALLEY FAB CORPORATION. ANY REPRODUCTION, DUPLICATION OR TRANSFER OF THE PROPRIETARY CONTENT IS PROHIBITED WITHOUT WRITTEN PERMISSION.

**STANDARD TOLERANCES:**

(UNLESS OTHERWISE NOTED)

FRACTIONS - 1/16"  
 DECIMALS - 0.01"  
 ANGLES - 0.5°

**NEWAVE**  
  
 TOWER COMPONENTS. 503-792-3739  
 10910 PORTLAND RD. BROOKS, OR 97305

TOTAL WT: 85.05 LB

QTY:

FINISH: HDG

JOB #:

TITLE:

ANTENNA PIPE MOUNT  
 48" STAND-OFF (2-7/8" OD PIPE)

SERIES: TOWER ANTENNA MOUNTING

SHEET: 2 OF 2

DRAWN BY:

JG

DATE:

3/14/2019

CHK'D BY:

KY

DRAWING NO.

AM1038-48