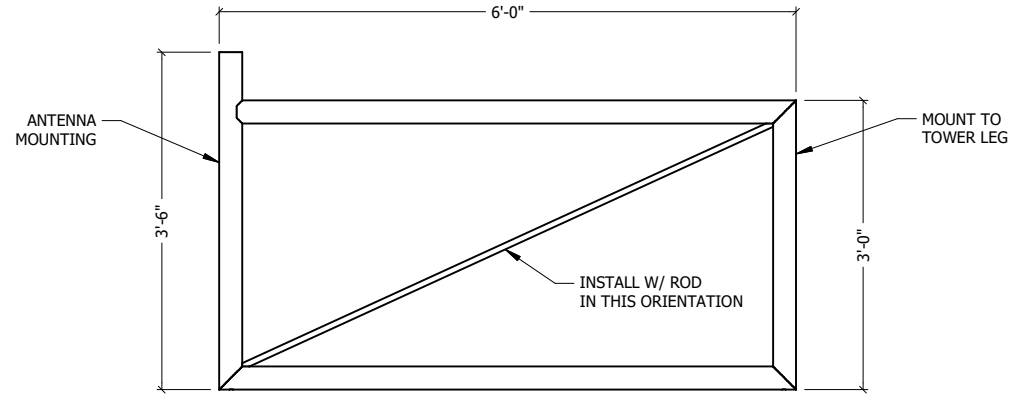
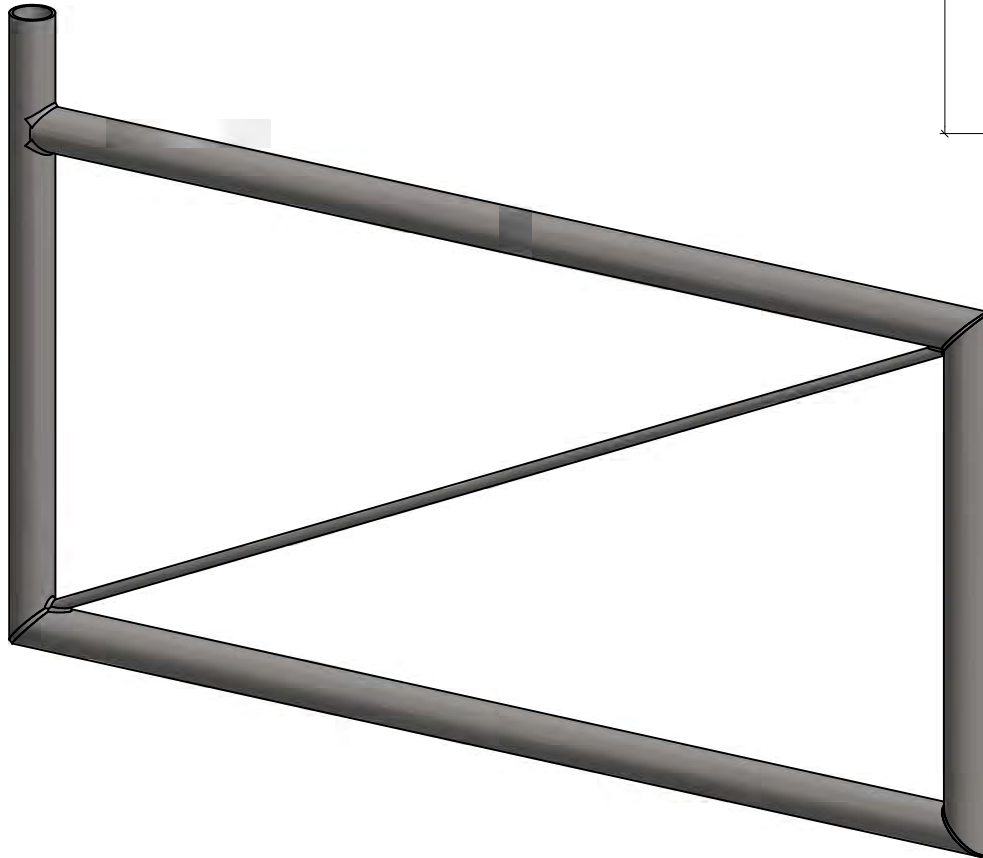


REV	BY	DESCRIPTION	DATE
A	KY	SEE MODEL IPROPERTIES/COMMENTS	4/28/2021



SIDE VIEW

THIS DESIGN AND INFORMATION CONTAINED ON THIS PRINT IS THE PROPERTY OF VALLEY FAB CORPORATION. ANY REPRODUCTION, DUPLICATION OR TRANSFER OF THE PROPRIETARY CONTENT IS PROHIBITED WITHOUT WRITTEN PERMISSION.

STANDARD TOLERANCES:
(UNLESS OTHERWISE NOTED)

FRACTIONS ±1/16"
DECIMALS ±0.01"
ANGLES ±0.5°

NEWAVE
TOWER COMPONENTS. 503-792-3739
10910 PORTLAND RD. BROOKS, OR 97305

TOTAL WT: 110.85 LB

QTY:

FINISH: HDG

JOB #:

TITLE:

ANTENNA PIPE MOUNT
72" STAND-OFF (2-7/8" OD PIPE)

DRAWN BY:

JG

DATE:

4/2/2019

CHK'D BY:

KY

DRAWING NO.

AM1038-72

SERIES: TOWER ANTENNA MOUNTING

SHEET: 2 OF 2