

ITEM	PART #	QTY	DESCRIPTION	LENGTH	FINISH	UNIT WT
1	AM2005.01L	1	V-FRAME WELDMENT (LEFT)		HDG	67.27
2	AM2005.01R	1	V-FRAME WELDMENT (RIGHT)		HDG	67.27
3	AMTB-CW1	2	ANTENNA MOUNT, TOWER BRACKET CLAMP		HDG	28.00
4	AMTB-BP2	2	3/8" PLATE		HDG	13.13
5	AMTB-FP1	2	1/2" PLATE		HDG	9.33
6	AMTB-BP1	2	1/2" PLATE		HDG	16.58
7	AM1030-23M.02	2	STIFF ARM HALF CLAMP WELDMENT		HDG	0.92
8	AM1030-23M.03	2	1/4" PLATE		SEE W/O	0.58
9	AM1031.03	4	1/4" PLATE		HDG	1.79
10	AM1031HD.03	4	3/16" PLATE		HDG	1.58
11	P278-126	2	2 1/2" STD PIPE	10'-6"	HDG	60.89
12	P23-126	2	2" STD PIPE	10'-6"	HDG	38.40
13	TR58-18	8	5/8" x 18" B7 HDG ALL-THREAD	1'-6"		1.56
14	27-4404-005	10	5/8 x 2 1/4 GR.5 HDG BOLT			0.29
15	27-4403-005	10	5/8 x 2 GR.5 HDG BOLT			0.27
16	27-5370-005	10	5/8 A36 HDG FLAT WASHER			0.08
17	27-5380-005	36	5/8 HDG LOCK WASHER			0.03
18	27-5390-005	16	5/8 HDG HEAVY HEX NUT			0.13
19	27-5391-005	20	5/8" HDG HEX NUT			0.08
20	TR12-10	4	1/2" x 10" A36 HDG ALL-THREAD	10"		0.56
21	27-4310-005	4	GALV. 1/2" x 4" GR.5 FULL THREADED BOLT			0.27
22	27-4300-005	4	1/2" x 1 1/4" GR.5 HDG BOLT			0.12
23	27-5200-005	16	HDG - 1/2" FLAT WASHER, USS			0.04
24	27-5210-005	16	1/2 HDG LOCK WASHER			0.01
25	27-5222-005	16	1/2 HDG HEX NUT			0.04
26	27-6080-005	8	GALV. 1/2" x 3" x 5" GR-5 U-BOLT ASSEMBLY			0.89
27	27-6050-005	8	GALV. 3/8" x 2-1/2" x 4" U-BOLT ASSEMBLY			0.40

THIS DESIGN AND INFORMATION CONTAINED ON THIS PRINT IS THE PROPERTY OF VALLEY FAB CORPORATION. ANY REPRODUCTION, DUPLICATION OR TRANSFER OF THE PROPRIETARY CONTENT IS PROHIBITED WITHOUT WRITTEN PERMISSION.

STANDARD TOLERANCES:
(UNLESS OTHERWISE NOTED)
FRACTIONS ±1/16"
DECIMALS ±0.01"
ANGLES ±0.5°

NEWAVE
TOWER COMPONENTS, 503-792-3739
10910 PORTLAND RD. BROOKS, OR 97305

TOTAL WT: 522.8 LB

QTY:

FINISH:

JOB #:

TITLE:
10'-6" FACE, V-FRAME, ADJ. TAPER, DBL STIFF-ARM
FITS 1-1/2" TO 10-1/2" O.D ROUND LEG

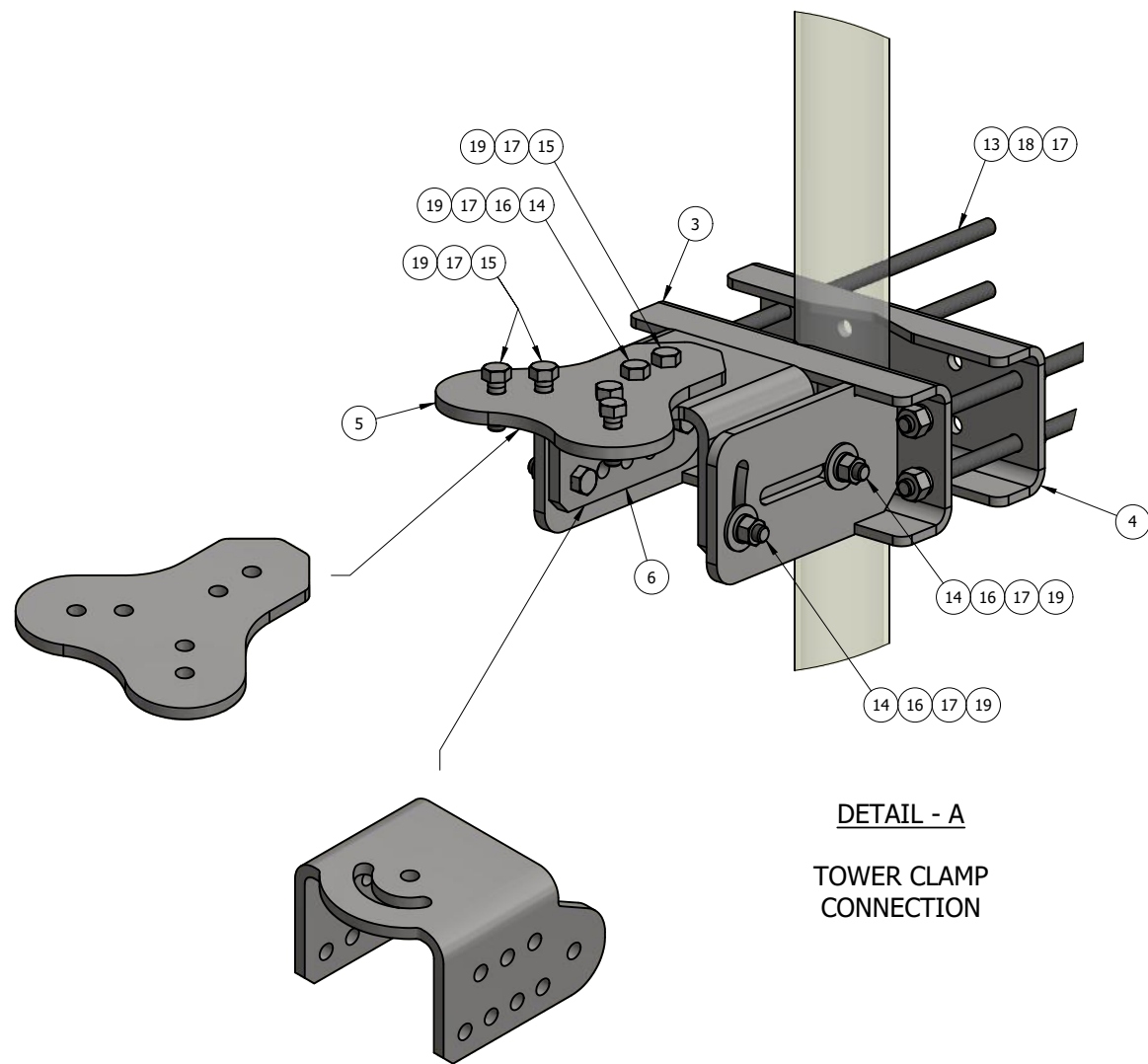
SERIES: TOWER ANTENNA MOUNT

SHEET: 1 OF 3

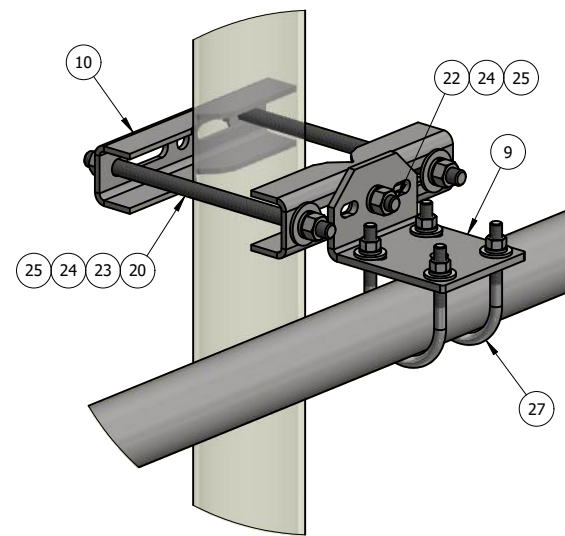
DRAWN BY: DATE: CHK'D BY:

KY 6/2/2022 -

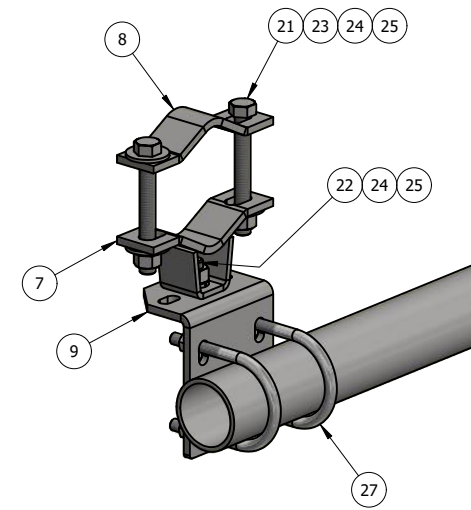
DRAWING NO. AM2005-10HD



DETAIL - A
TOWER CLAMP CONNECTION



DETAIL - B
STIFF ARM
TOWER LEG
CONNECTION



DETAIL - C
STIFF ARM
PIPE FACE
CONNECTION

ITEM	PART #	QTY	DESCRIPTION	LENGTH	FINISH	UNIT WT
1	AM2005.01L	1	V-FRAME WELDMENT (LEFT)		HDG	67.27
2	AM2005.01R	1	V-FRAME WELDMENT (RIGHT)		HDG	67.27
3	AMTB-CW1	2	ANTENNA MOUNT, TOWER BRACKET CLAMP		HDG	28.00
4	AMTB-BP2	2	3/8" PLATE		HDG	13.13
5	AMTB-FP1	2	1/2" PLATE		HDG	9.33
6	AMTB-BP1	2	1/2" PLATE		HDG	16.58
7	AM1030-23M.02	2	STIFF ARM HALF CLAMP WELDMENT		HDG	0.92
8	AM1030-23M.03	2	1/4" PLATE		SEE W/O	0.58
9	AM1031.03	4	1/4" PLATE		HDG	1.79
10	AM1031HD.03	4	3/16" PLATE		HDG	1.58
11	P278-126	2	2 1/2" STD PIPE	10'-6"	HDG	60.89
12	P23-126	2	2" STD PIPE	10'-6"	HDG	38.40
13	TR58-18	8	5/8" x 18" B7 HDG ALL-THREAD	1'-6"		1.56
14	27-4404-005	10	5/8 x 2 1/4 GR.5 HDG BOLT			0.29
15	27-4403-005	10	5/8 x 2 GR.5 HDG BOLT			0.27
16	27-5370-005	10	5/8 A36 HDG FLAT WASHER			0.08
17	27-5380-005	36	5/8 HDG LOCK WASHER			0.03
18	27-5390-005	16	5/8 HDG HEAVY HEX NUT			0.13
19	27-5391-005	20	5/8" HDG HEX NUT			0.08
20	TR12-10	4	1/2" x 10" A36 HDG ALL-THREAD	10"		0.56
21	27-4310-005	4	GALV. 1/2" x 4" GR.5 FULL THREADED BOLT			0.27
22	27-4300-005	4	1/2" x 1 1/4" GR.5 HDG BOLT			0.12
23	27-5200-005	16	HDG - 1/2" FLAT WASHER, USS			0.04
24	27-5210-005	16	1/2 HDG LOCK WASHER			0.01
25	27-5222-005	16	1/2 HDG HEX NUT			0.04
26	27-6080-005	8	GALV. 1/2" x 3" x 5" GR-5 U-BOLT ASSEMBLY			0.89
27	27-6050-005	8	GALV. 3/8" x 2-1/2" x 4" U-BOLT ASSEMBLY			0.40

THIS DESIGN AND INFORMATION CONTAINED ON THIS PRINT IS THE PROPERTY OF VALLEY FAB CORPORATION. ANY REPRODUCTION, DUPLICATION OR TRANSFER OF THE PROPRIETARY CONTENT IS PROHIBITED WITHOUT WRITTEN PERMISSION.

STANDARD TOLERANCES:
(UNLESS OTHERWISE NOTED)
FRACTIONS ±1/16"
DECIMALS ±0.01"
ANGLES ±0.5°

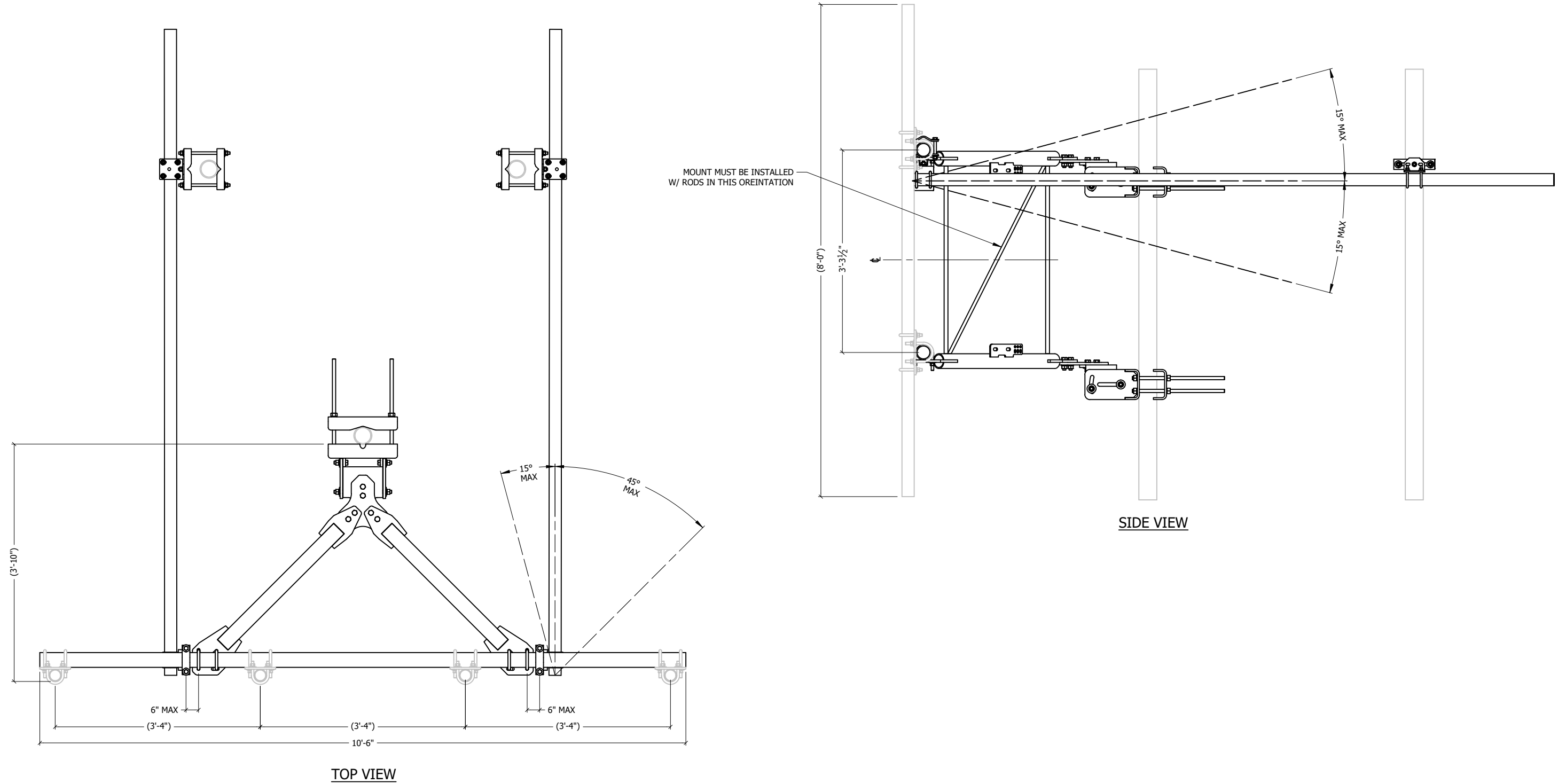
NEWAVE
TOWER COMPONENTS, 503-792-3739
10910 PORTLAND RD. BROOKS, OR 97305

TOTAL WT: 522.8 LB
QTY:
FINISH:
JOB #:

TITLE: 10'-6" FACE, V-FRAME, ADJ. TAPER, DBL STIFF-ARM FITS 1-1/2" TO 10-1/2" O.D ROUND LEG


SERIES: TOWER ANTENNA MOUNT SHEET: 2 OF 3

DRAWN BY: KY DATE: 6/2/2022 CHK'D BY: -
DRAWING NO. AM2005-10HD



TOP VIEW

SIDE VIEW

THIS DESIGN AND INFORMATION CONTAINED ON THIS PRINT IS THE PROPERTY OF VALLEY FAB CORPORATION. ANY REPRODUCTION, DUPLICATION OR TRANSFER OF THE PROPRIETARY CONTENT IS PROHIBITED WITHOUT WRITTEN PERMISSION.	
STANDARD TOLERANCES: (UNLESS OTHERWISE NOTED) FRACTIONS ±1/16" DECIMALS ±0.01" ANGLES ±0.5°	 NEWAVE TOWER COMPONENTS, 503-792-3739 10910 PORTLAND RD. BROOKS, OR 97305
TOTAL WT: 522.8 LB QTY: FINISH: JOB #:	TITLE: 10'-6" FACE, V-FRAME, ADJ. TAPER, DBL STIFF-ARM FITS 1-1/2" TO 10-1/2" O.D ROUND LEG SERIES: TOWER ANTENNA MOUNT

DRAWN BY: KY	DATE: 6/2/2022	CHK'D BY: -
DRAWING NO. AM2005-10HD		SHEET: 3 OF 3