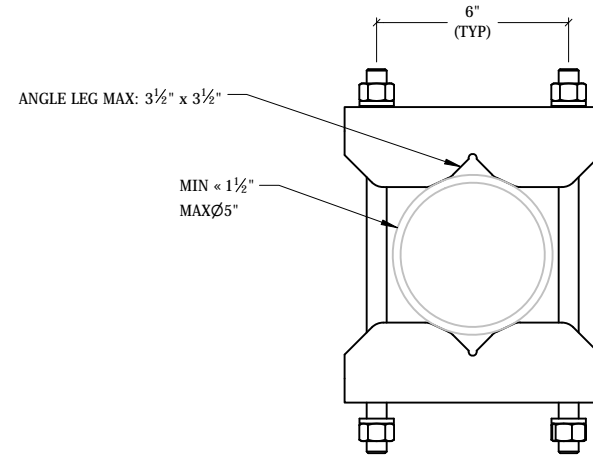
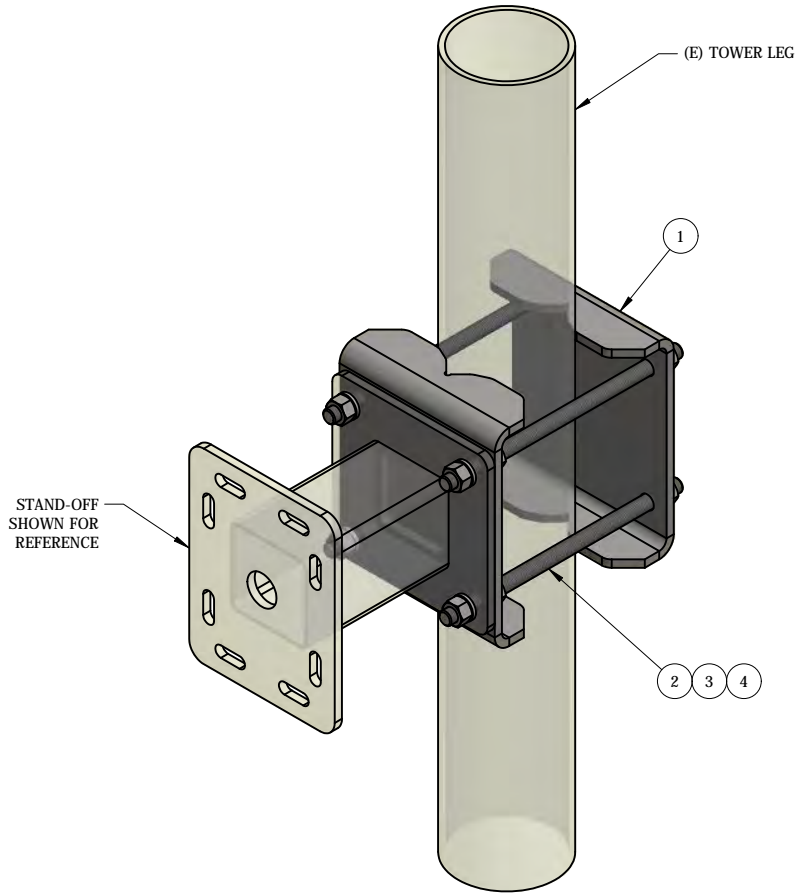


REV	BY	DESCRIPTION	DATE
B	KY	SEE MODEL IPROPERTIES/COMMENTS	8/9/2021




TOP VIEW

THIS DESIGN AND INFORMATION CONTAINED ON THIS PRINT IS THE PROPERTY OF VALLEY FAB CORPORATION. ANY REPRODUCTION, DUPLICATION OR TRANSFER OF THE PROPRIETARY CONTENT IS PROHIBITED WITHOUT WRITTEN PERMISSION.

**STANDARD TOLERANCES:**

(UNLESS OTHERWISE NOTED)  
 FRACTIONS - 1/16"  
 DECIMALS - 0.01"  
 ANGLES - 0.5°

**NEWAVE**  
  
 TOWER COMPONENTS. 503-792-3739  
 10910 PORTLAND RD. BROOKS, OR 97305

TOTAL WT: 27.25 LB

QTY:

FINISH:

JOB #:

ITEM	PART #	QTY	DESCRIPTION	LENGTH	FINISH	UNIT WT
1	AMSB.01	2	3/8" PLATE		HDG	10.88
2	TR58-12	4	GALV. 5/8" x 12" ALL-THREAD			1.04
4	27-5380-005	12	5/8 HDG LOCK WASHER			0.03
3	27-5391-005	12	5/8" HDG HEX NUT			0.08

TITLE:

ANTENNA MOUNT STAN-OFF BRACKET  
 FOR 1-1/2" TO 5" O.D. MEMBER

DRAWN BY:

JG

DATE:

7/17/2018

CHK'D BY:

KY

DRAWING NO.

AMSB

SERIES: TOWER ANTENNA MOUNT

SHEET: 1 OF 1