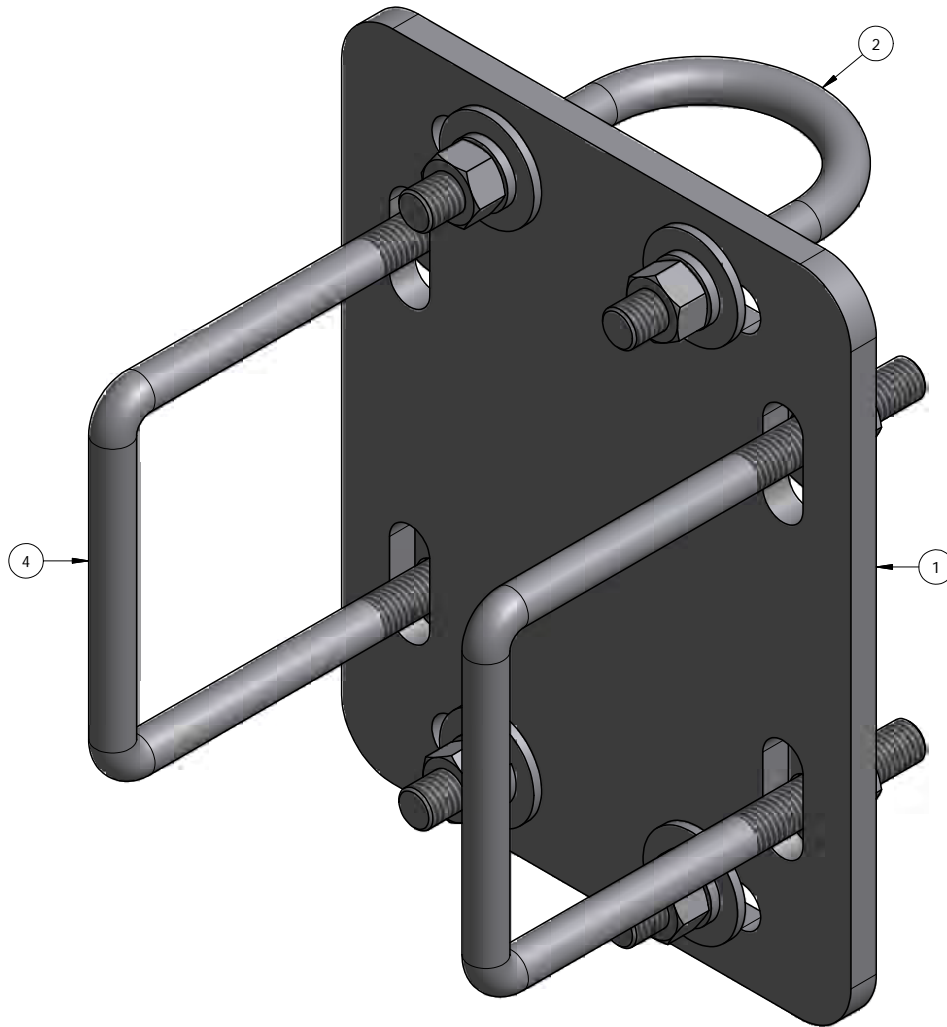


ITEM	PART #	DESCRIPTION	QTY
1	CXP2	2 3/8" to 4 1/2" CROSS OVER (3/8" PLATE)	1
2	27-6060-005	GALV. 1/2" x 2-1/2" x 4" U-BOLT ASSEMBLY	2
4	27-7010-005	GALV. 1/2" x 4-1/8" x 6" SQ. U-BOLT ASSEMBLY	2



STANDARD TOLERANCES:

(UNLESS OTHERWISE NOTED)

FRACTIONS ±1/16"
 DECIMALS ±.005"
 ANGLES ±.5°

THIS DESIGN AND INFORMATION CONTAINED ON THIS PRINT IS THE PROPERTY OF NEWAVE TOWER COMPONENTS LLC. ANY REPRODUCTION, DUPLICATION OR TRANSFER OF THE PROPRIETARY CONTENT IS PROHIBITED WITHOUT WRITTEN PERMISSION.

NEWAVE
 TOWER COMPONENTS. 503-792-3739
 10910 PORTLAND RD. BROOKS, OR 97305

MATERIAL:	DRAWN BY:
AS SHOWN	KY
HOLES:	CHECKED BY:
AS SHOWN	-
FINISH:	DATE:
HDG	1/16/2014

TITLE:		
CROSS OVER PLATE ASSEMBLY FOR 2-3/8" O.D PIPE TO 4" SQ. TUBE		
SERIES: MONOPOLE MOUNTING		
PROJECT NO:	DRAWING NO.	SHEET:
-	CX24SQ	1 OF 1