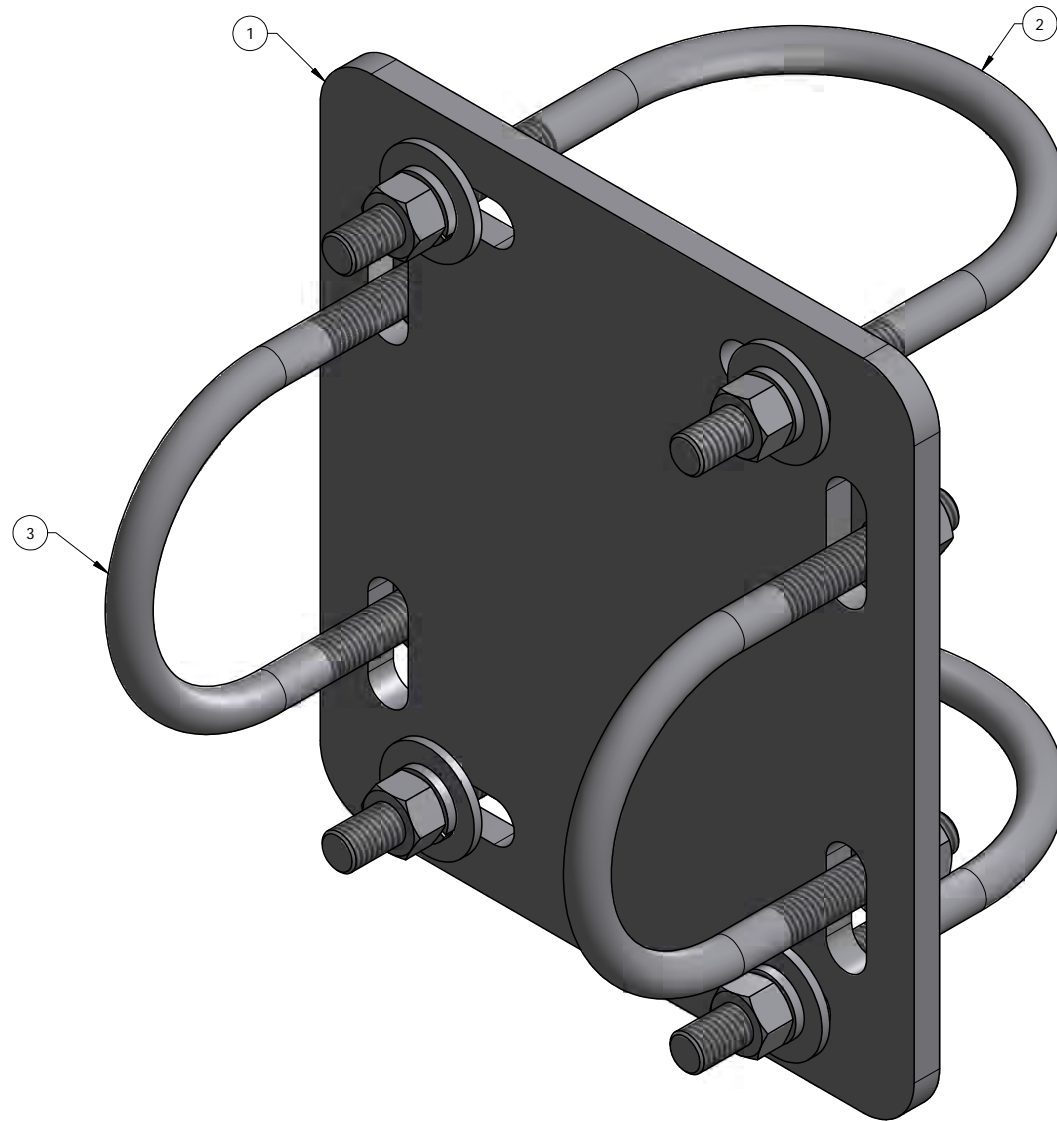


PARTS LIST			
ITEM	QTY	PART NUMBER	DESCRIPTION
1	1	CXP3	3 1/2" TO 4 1/2" CROSS OVER (3/8" PLATE)
2	2	27-6140-005	GALV. 1/2" x 4 5/8" x 6 1/2" U-BOLT ASSEMBLY
3	2	27-6090-005	GALV. 1/2" x 3 5/8" x 5" U-BOLT ASSEMBLY



STANDARD TOLERANCES:

(UNLESS OTHERWISE NOTED)

FRACTIONS ±1/16"
 DECIMALS ±.005"
 ANGLES ±.5°

THIS DESIGN AND INFORMATION CONTAINED ON THIS PRINT IS THE PROPERTY OF NEWAVE TOWER COMPONENTS LLC. ANY REPRODUCTION, DUPLICATION OR TRANSFER OF THE PROPRIETARY CONTENT IS PROHIBITED WITHOUT WRITTEN PERMISSION.



TOWER COMPONENTS, 503-792-3739
 10910 PORTLAND RD. BROOKS, OR 97305

MATERIAL: AS SHOWN	DRAWN BY: KY
HOLES: AS SHOWN	CHECKED BY: CW
FINISH: HDG	DATE: 12/01/2011

TITLE: CROSS OVER PLATE ASSEMBLY 3 1/2" TO 4 1/2" O.D. PIPE		
SERIES: MNOPOLE MOUNTING		
PROJECT NO: -	DRAWING NO. CX34	SHEET: 1 OF 1