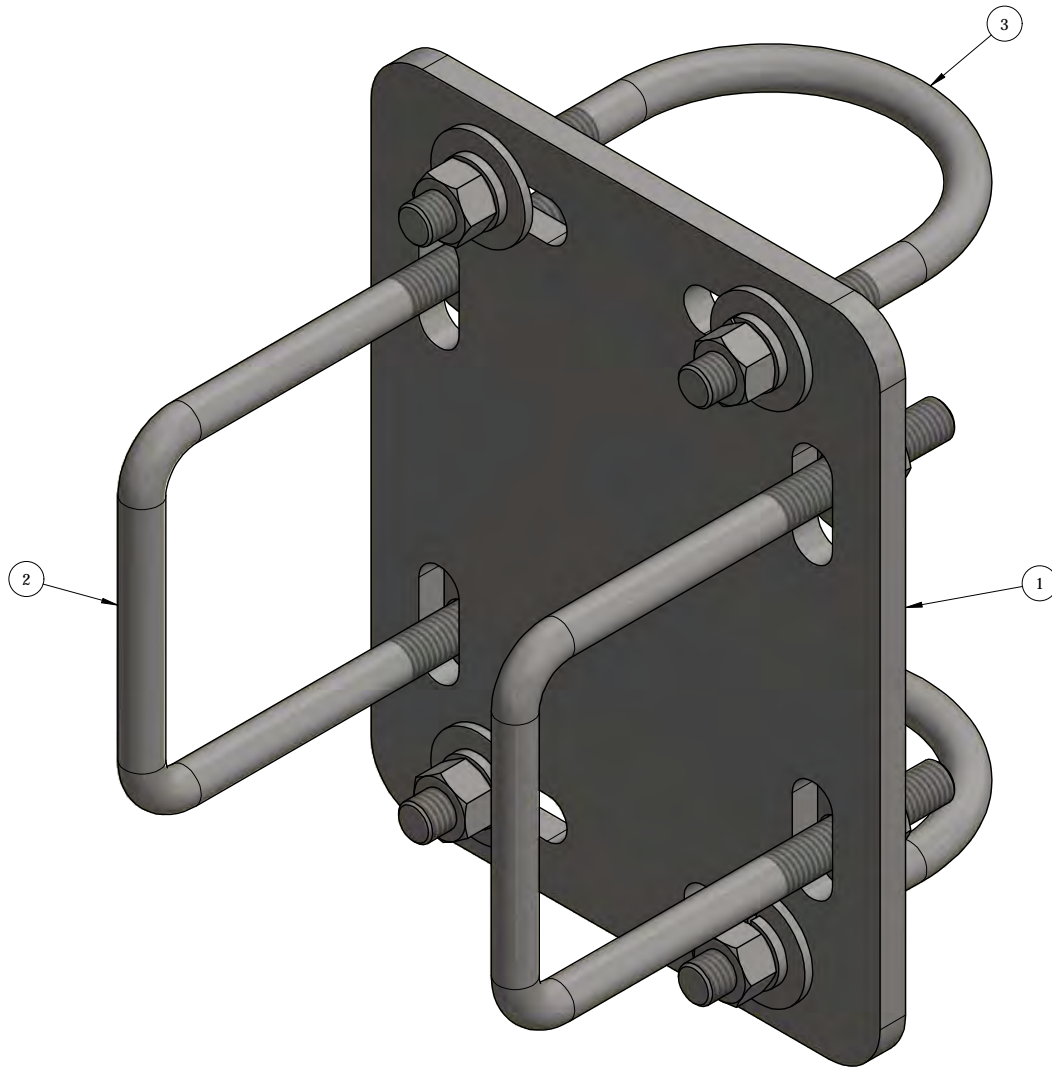


ITEM	PART #	DESCRIPTION	QTY
1	CXP2	2 3/8" to 4 1/2" CROSS OVER (3/8" PLATE)	1
2	27-7010-005	GALV. 1/2" x 4-1/8" x 6" SQ. U-BOLT ASSEMBLY	2
3	27-6090-005	GALV. 1/2" x 3 5/8" x 5" U-BOLT ASSEMBLY	2



QTY:
CHK:

STANDARD TOLERANCES:
(UNLESS OTHERWISE NOTED)

FRACTIONS - 1/16"
1 DECIMAL - .1"
2 DECIMAL - .03"
3 DECIMAL - .005"
ANGLES - .5°

THIS DESIGN AND INFORMATION CONTAINED ON THIS PRINT IS THE PROPERTY OF NEWAVE TOWER COMPONENTS LLC. ANY REPRODUCTION, DUPLICATION OR TRANSFER OF THE PROPRIETARY CONTENT IS PROHIBITED WITHOUT WRITTEN PERMISSION.

NEWAVE
 TOWER COMPONENTS. 503-792-3739
 10910 PORTLAND RD. BROOKS, OR 97305

MATERIAL:		AS SHOWN	
GRADE:	DRAWN BY:	KY	
AS SHOWN			
FINISH:	CHECKED BY:	-	
HDG			

TITLE:			
CROSS OVER PLATE ASSEMBLY FOR 3-1/2" O.D PIPE TO 4" SQ. TUBE			
SERIES:		MONOPOLE MOUNTING	
DATE:	PART WT (BARE):	DRAWING NO.	
8/1/2018	11 LB	CX34SQ	