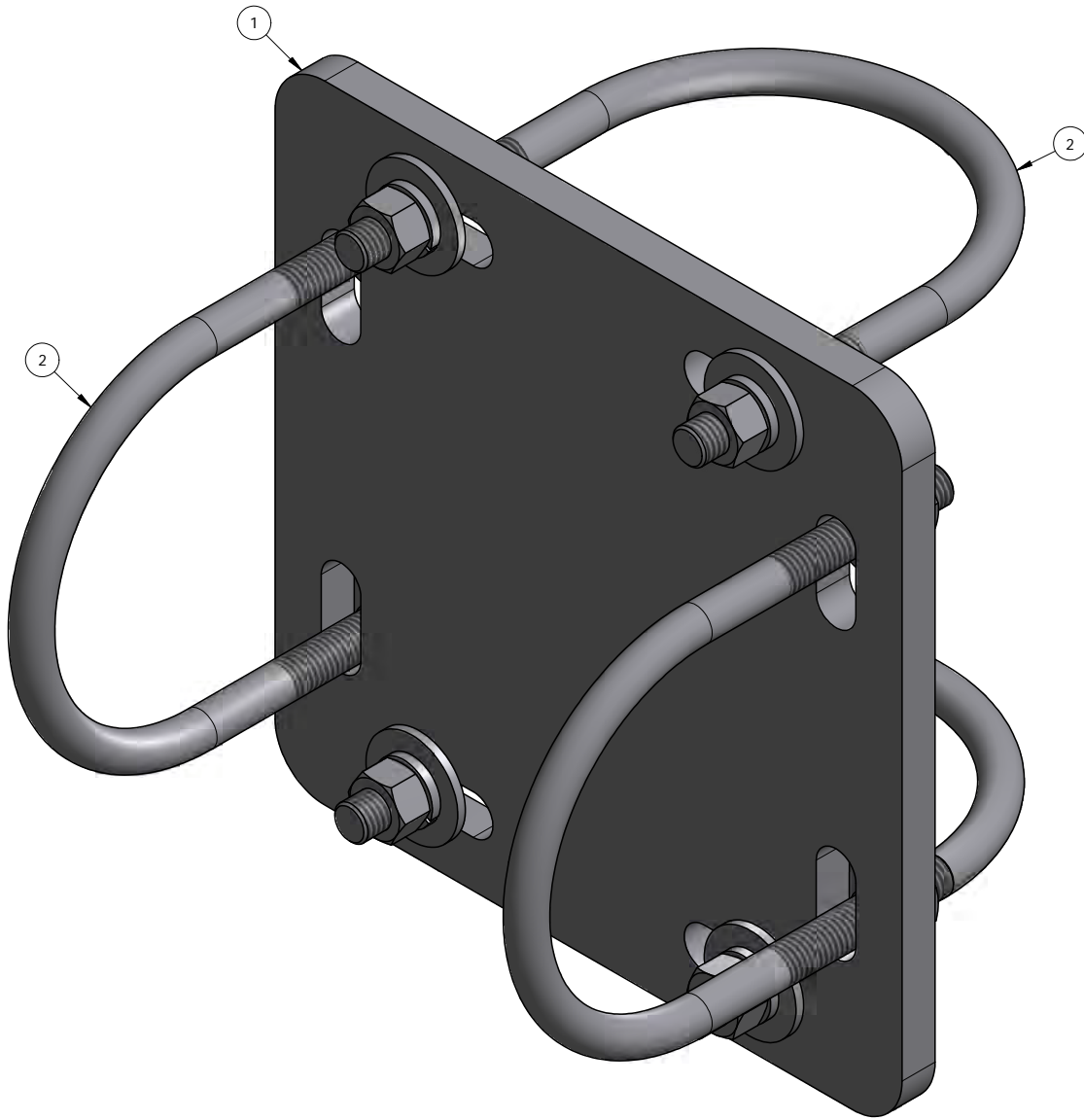


PARTS LIST			
ITEM	PART NUMBER	DESCRIPTION	QTY
1	CXP4	3 1/2" TO 4 1/2" CROSS OVER (1/2" PLATE)	1
2	27-6130-005	GALV. 1/2" x 4-5/8" x 6" U-BOLT ASSEMBLY	4



STANDARD TOLERANCES:
 (UNLESS OTHERWISE NOTED)
 FRACTIONS ±1/16"
 DECIMALS ±.005"
 ANGLES ±.5°

THIS DESIGN AND INFORMATION CONTAINED ON THIS PRINT IS THE PROPERTY OF NEWAVE TOWER COMPONENTS LLC. ANY REPRODUCTION, DUPLICATION OR TRANSFER OF THE PROPRIETARY CONTENT IS PROHIBITED WITHOUT WRITTEN PERMISSION.



MATERIAL: AS SHOWN
 HOLES: AS SHOWN
 FINISH: HDG

DRAWN BY: KY
 CHECKED BY: CW
 DATE: 12/01/2011

TITLE: CROSS OVER PLATE ASSEMBLY
 4 1/2" TO 4 1/2" O.D. PIPE

SERIES: MONOPOLE MOUNTING

PROJECT NO: -
 DRAWING NO: CX44
 SHEET: 1 OF 1