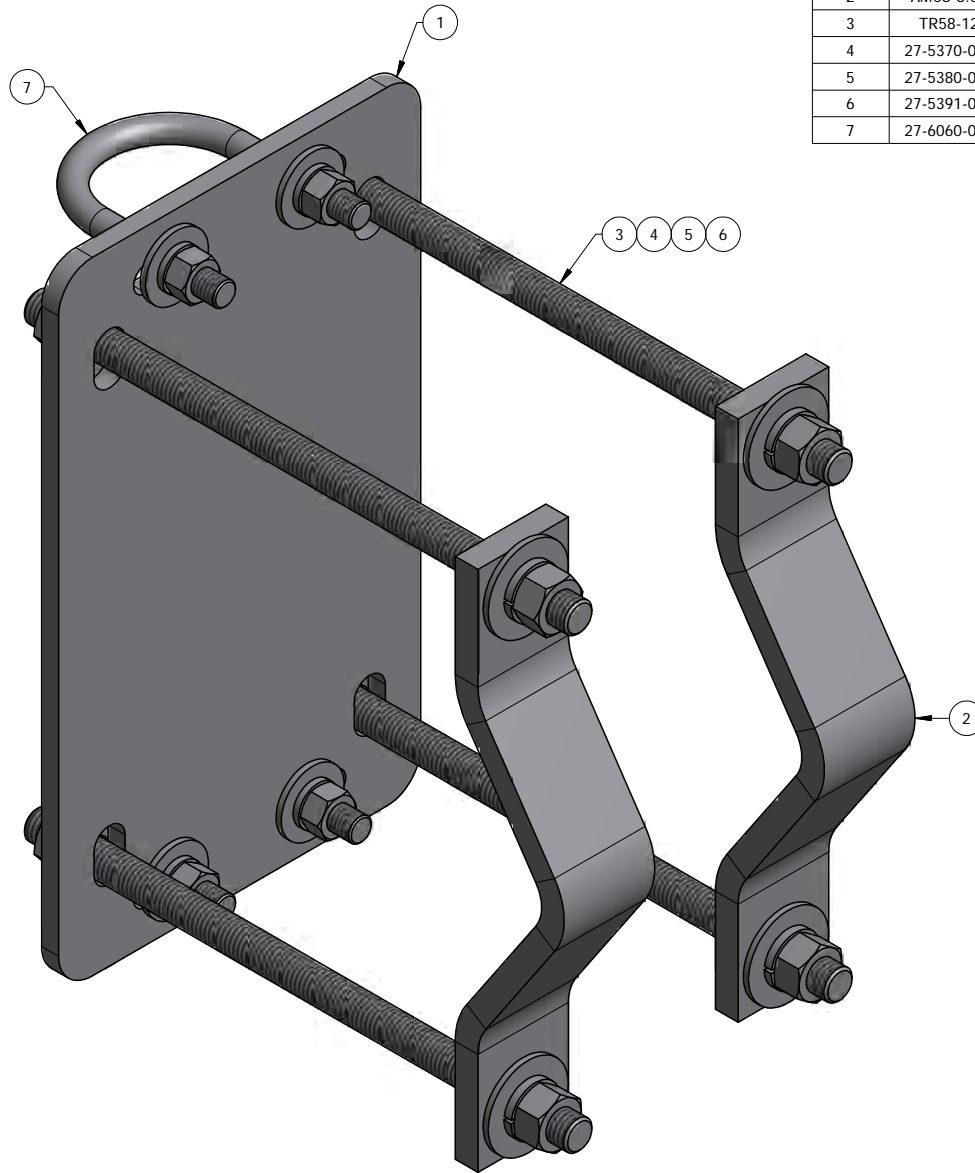


ITEM	PART #	DESCRIPTION	QTY	UNIT WT
1	CXU2-9.01	3/8" UNIVERSAL PLATE 2-3/8" to 5"-9" CROSS OVER	1	11.14
2	AMCS-8.01	HALF CLAMP FOR 3-1/2" TO 8-5/8" ROUND MEMBER	2	3.39
3	TR58-12	GALV. 5/8" x 12" ALL-THREAD	4	1.04
4	27-5370-005	GALV. 5/8" FLAT WASHER	8	0.07
5	27-5380-005	GALV. 5/8" LOCK WASHER	8	0.03
6	27-5391-005	GALV. 5/8" HEX NUT	8	0.08
7	27-6060-005	GALV. 1/2" x 2-1/2" x 4" U-BOLT ASSEMBLY	2	0.77



QTY:
CHK:

STANDARD TOLERANCES:
(UNLESS OTHERWISE NOTED)
FRACTIONS ±1/16"
DECIMALS ±.005"
ANGLES ±.5°

THIS DESIGN AND INFORMATION CONTAINED ON THIS PRINT IS THE PROPERTY OF NEWAVE TOWER COMPONENTS LLC. ANY REPRODUCTION, DUPLICATION OR TRANSFER OF THE PROPRIETARY CONTENT IS PROHIBITED WITHOUT WRITTEN PERMISSION.

NEWAVE
Tower Components. 503-792-3739
10910 PORTLAND RD. BROOKS, OR 97305

MATERIAL: AS SHOWN
HOLES: AS SHOWN
FINISH: HDG
DRAWN BY: KY
CHECKED BY:
DATE: 3/4/2013

TITLE: CROSS OVER KIT FOR 2-3/8" O.D PIPE MOUNTS FROM 5" TO 9" O.D ROUND
SERIES: MONOPOLE MOUNTING
PART WT (BARE): 25.0 LB
DRAWING NO. CXU2-9
SHEET: 1 OF 1