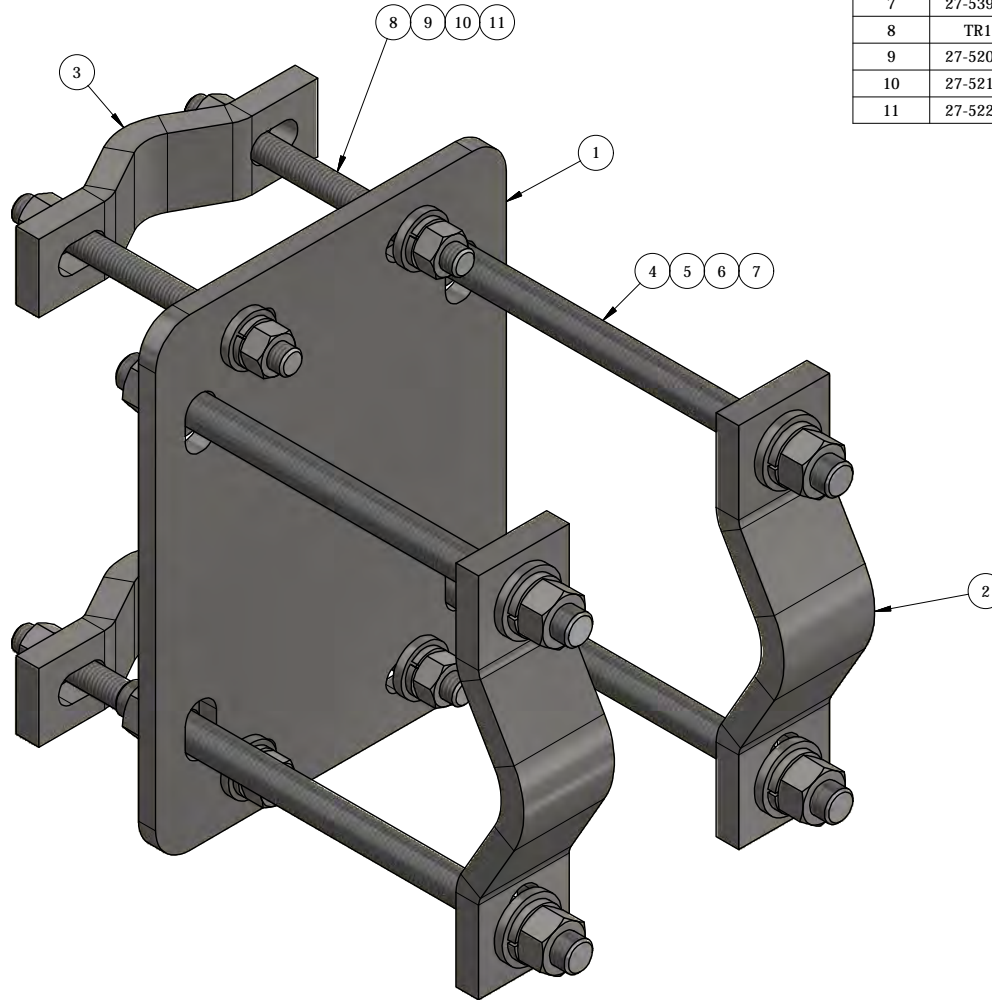


ITEM	PART #	DESCRIPTION	QTY	UNIT WT
1	CXU2-5.01	2 3/8" to 4 1/2" CROSS OVER (3/8" PLATE)	1	7.87
2	AMCS-5.01	HALF CLAMP FOR 2-3/8" TO 5-1/2" ROUND MEMBER	2	2.24
3	AMCS-3.01	HALF CLAMP FOR 1-1/2" TO 3-1/2" O.D ROUND	2	1.23
4	TR58-10	GALV. 5/8" x 10" ALL-THREAD	4	0.87
5	27-5372-005	5/8" F436 HDG FLAT WASHER	8	0.05
6	27-5380-005	5/8" HDG LOCK WASHER	8	0.03
7	27-5391-005	5/8" HDG HEX NUT	8	0.08
8	TR12-6	1/2" x 6" HDG ALL-THREAD	4	0.33
9	27-5202-005	1/2" F436 HDG FLAT WASHER	8	0.03
10	27-5210-005	1/2" HDG LOCK WASHER	8	0.01
11	27-5222-005	1/2" HDG HEX NUT	8	0.04



QTY:  
CHK:

**STANDARD TOLERANCES:**  
(UNLESS OTHERWISE NOTED)

FRACTIONS - 1/16"  
1 DECIMAL - .1"  
2 DECIMAL - .03"  
3 DECIMAL - .005"  
ANGLES - .5°

THIS DESIGN AND INFORMATION CONTAINED ON THIS PRINT IS THE PROPERTY OF NEWAVE TOWER COMPONENTS LLC. ANY REPRODUCTION, DUPLICATION OR TRANSFER OF THE PROPRIETARY CONTENT IS PROHIBITED WITHOUT WRITTEN PERMISSION.

**NEWAVE**  
Tower Components. 503-792-3739  
10910 PORTLAND RD. BROOKS, OR 97305

MATERIAL: AS SHOWN		TITLE: CROSS OVER UNIVERSAL KIT		
GRADE: AS SHOWN	DRAWN BY: KY	1-1/2" TO 3-1/2" & 2-3/8" TO 5-5/8" O.D RND		
FINISH: HDG	CHECKED BY: -	SERIES: MONOPOLE MOUNTING	DATE: 3/4/2013	PART WT (BARE): 21.6 LB
		DRAWING NO.		CXU3-5