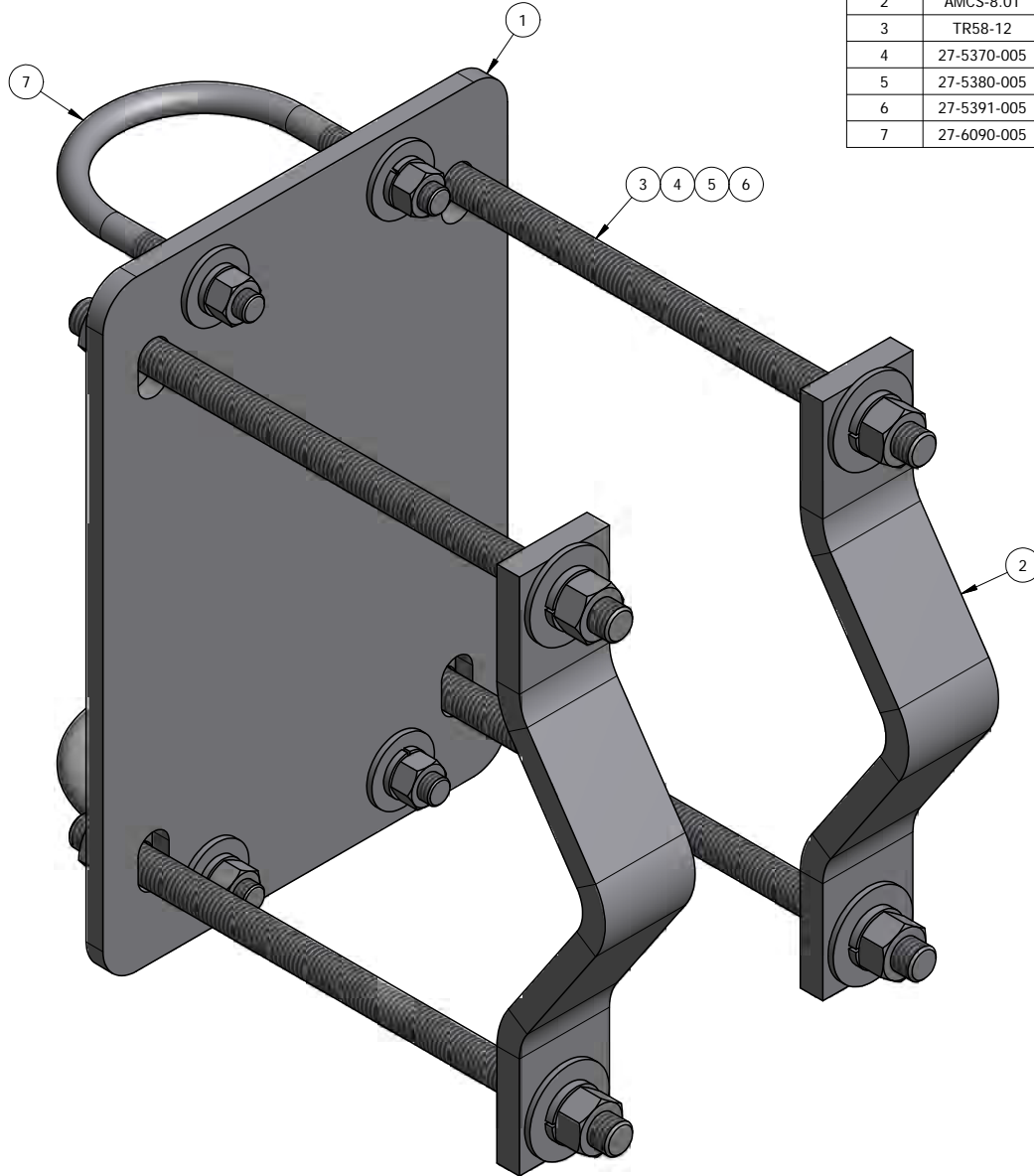


ITEM	PART #	DESCRIPTION	QTY	UNIT WT
1	CXU35-9.01	3/8" UNIVERSAL PLATE 2-3/8" to 5"-9" CROSS OVER	1	12.32
2	AMCS-8.01	HALF CLAMP FOR 3-1/2" TO 8-5/8" ROUND MEMBER	2	3.39
3	TR58-12	GALV. 5/8" x 12" ALL-THREAD	4	1.04
4	27-5370-005	GALV. 5/8" FLAT WASHER	8	0.07
5	27-5380-005	GALV. 5/8" LOCK WASHER	8	0.03
6	27-5391-005	GALV. 5/8" HEX NUT	8	0.08
7	27-6090-005	GALV. 1/2" x 3 5/8" x 5" U-BOLT ASSEMBLY	2	0.91



QTY:  
CHK:

**STANDARD TOLERANCES:**  
(UNLESS OTHERWISE NOTED)  
FRACTIONS ±1/16"  
DECIMALS ±.005"  
ANGLES ±.5°

THIS DESIGN AND INFORMATION CONTAINED ON THIS PRINT IS THE PROPERTY OF NEWAVE TOWER COMPONENTS LLC. ANY REPRODUCTION, DUPLICATION OR TRANSFER OF THE PROPRIETARY CONTENT IS PROHIBITED WITHOUT WRITTEN PERMISSION.

**NEWAVE**  
Tower Components 503-792-3739  
10910 PORTLAND RD. BROOKS, OR 97305

MATERIAL: AS SHOWN  
HOLES: AS SHOWN  
FINISH: HDG  
DRAWN BY: KY  
CHECKED BY:  
DATE: 3/4/2013

TITLE: CROSS OVER KIT FOR 3-1/2" O.D PIPE MOUNTS FROM 5" TO 9" O.D ROUND  
SERIES: MONOPOLE MOUNTING  
PART WT (BARE): 26.5 LB  
DRAWING NO. CXU35-9  
SHEET: 1 OF 1