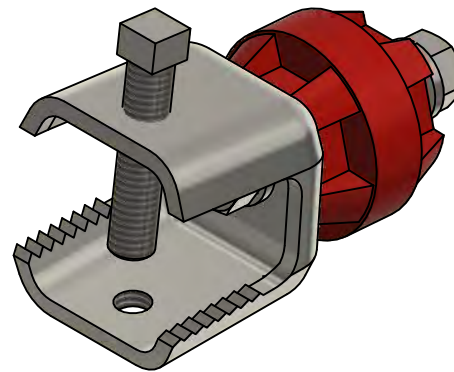


SIDE VIEW



THIS DESIGN AND INFORMATION CONTAINED ON THIS PRINT IS THE PROPERTY OF VALLEY FAB CORPORATION. ANY REPRODUCTION, DUPLICATION OR TRANSFER OF THE PROPRIETARY CONTENT IS PROHIBITED WITHOUT WRITTEN PERMISSION.

STANDARD TOLERANCES:
 (UNLESS OTHERWISE NOTED)
 FRACTIONS - 1/16"
 DECIMALS - 0.01"
 ANGLES - 0.5°

NEWAVE
 TOWER COMPONENTS. 503-792-3739
 10910 PORTLAND RD. BROOKS, OR 97305

TOTAL WT: 1.4 LB

QTY:

FINISH:

JOB #:

ITEM	PART #	QTY	DESCRIPTION	LENGTH	FINISH	UNIT WT
1	AA-TH.01	2	ANGLE ADAPTER BRACKET W/ 3/8" SQ. HEAD BOLT			0.46
2	GBB-CH-38	2	CHERRY INSULATOR FOR 3/8" BOLT			0.14
3	27-9079-005	2	3/8" x 3/4" SS 304 FT BOLT			0.05
5	27-9020-005	4	3/8 SS LOCK WASHER			0.01
4	27-9078-005	2	3/8" x 5/8" SS 304 FT BOLT			0.04

TITLE: TOWER BUS BAR HARDWARE KIT			DRAWN BY: KY	DATE: 4/1/2020	CHK'D BY: -
SERIES: ELECTRICAL-GROUNDING & WELDING			DRAWING NO.: GBB-HDKT-T		
SHEET: 1 OF 1					