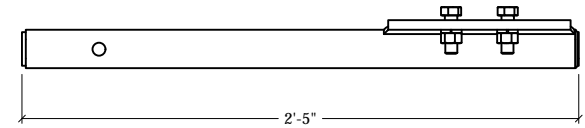
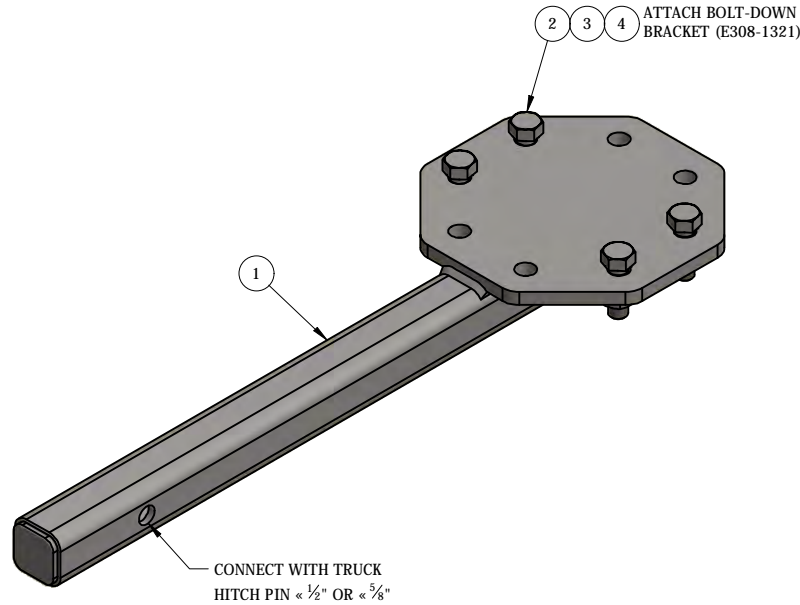


REV	BY	DESCRIPTION	DATE
A	KY	SEE MODEL I PROPERTIES/ COMMENTS	9/7/2018



SIDE VIEW

THIS DESIGN AND INFORMATION CONTAINED ON THIS PRINT IS THE PROPERTY OF VALLEY FAB CORPORATION. ANY REPRODUCTION, DUPLICATION OR TRANSFER OF THE PROPRIETARY CONTENT IS PROHIBITED WITHOUT WRITTEN PERMISSION.

STANDARD TOLERANCES:

(UNLESS OTHERWISE NOTED)

FRACTIONS - 1/16"
DECIMALS - 0.01"
ANGLES - 0.5°

NEWAVE
TOWER COMPONENTS. 503-792-3739
10910 PORTLAND RD. BROOKS, OR 97305

TOTAL WT: 25 LB

QTY:

FINISH: AS SHOWN

JOB #:

ITEM	PART #	QTY	DESCRIPTION	LENGTH	FINISH	UNIT WT
1	HMCH-F	1	HITCH MOUNT FOR CAPSTAN HOIST		PRIME GREY	23.50
2	27-4403-005	4	5/8" x 2" GR.5 HDG BOLT			0.27
3	27-5380-005	4	5/8" HDG LOCK WASHER			0.03
4	27-5391-005	4	5/8" HDG HEX NUT			0.08

TITLE: HITCH MOUNT FOR CAPSTAN HOIST FITS 2" RECIEVER, MAX LIFT CAP. 1,000 LB		DRAWN BY: KY	DATE: 9/7/2018	CHK'D BY: -
SERIES: RIGGING		DRAWING NO. HMCH-F		SHEET: 1 OF 1