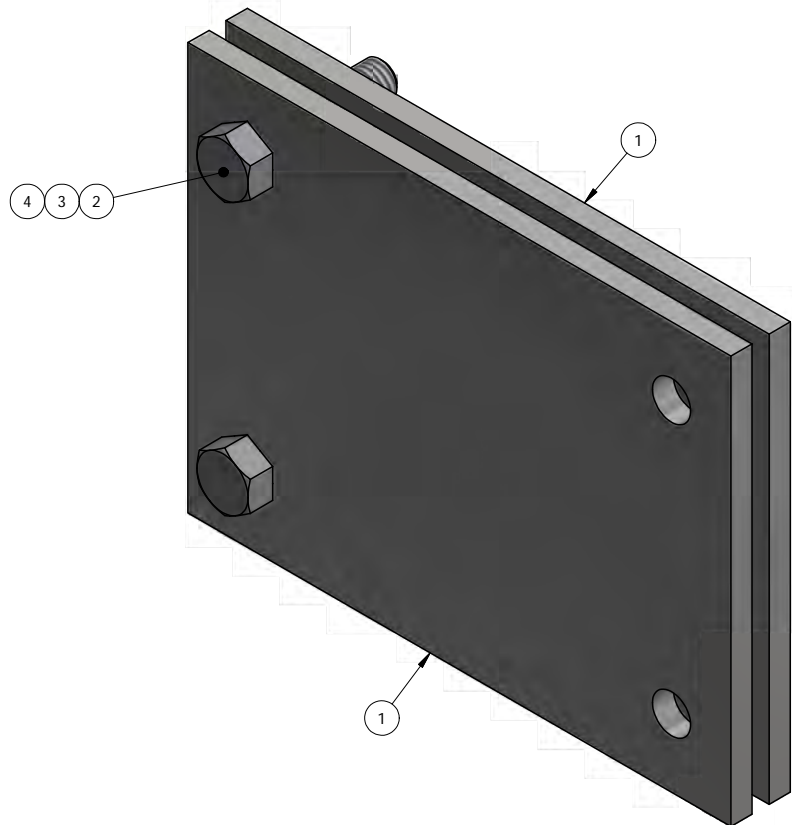



ITEM	PART #	DESCRIPTION	QTY	UNIT WT
1	HME-DBI-6.01	HEAD MOUNT EXTENSION PLATE FOR DBI MOUNT	2	4.17
2	27-4303-005	GALV. 1/2" x 2" GR. 5 BOLT	2	0.16
3	27-5210-005	GALV. 1/2" LOCK WASHER	2	0.01
4	27-5222-005	GALV. 1/2" HEX NUT	2	0.04



QTY:
CHK:

STANDARD TOLERANCES:
(UNLESS OTHERWISE NOTED)
FRACTIONS ±1/16"
DECIMALS ±.005"
ANGLES ±.5°

THIS DESIGN AND INFORMATION CONTAINED ON THIS PRINT IS THE PROPERTY OF NEWAVE TOWER COMPONENTS LLC. ANY REPRODUCTION, DUPLICATION OR TRANSFER OF THE PROPRIETARY CONTENT IS PROHIBITED WITHOUT WRITTEN PERMISSION.


NEWAVE
 TOWER COMPONENTS. 503-792-3739
 10910 PORTLAND RD. BROOKS, OR 97305

MATERIAL: AS SHOWN
 HOLES: AS SHOWN
 FINISH: HDG

DRAWN BY: KY
 CHECKED BY:
 DATE: 1/21/2016

TITLE: SAFETY CLIMB, HEAD MOUNT EXTENSION BRACKET FOR DBI MOUNT

SERIES: SAFETY CLIMB ACCESSORIES

PART WT (BARE): 8.8 LB
 DRAWING NO. HME-DBI-6
 SHEET: 1 OF 1