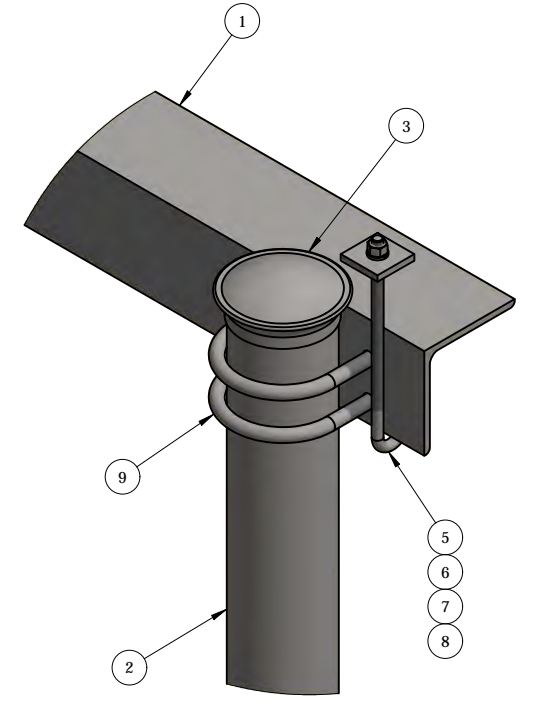


**SIDE VIEW**



**DETAIL-A**

ITEM	PART #	QTY	DESCRIPTION	LENGTH	FINISH	UNIT WT
1	IC10.01	2	14x4x1/4"	10'	HDG	66.32
2	P35-160	4	3" STD PIPE	13'-4"	HDG	101.12
3	PC35	4	3-1/2" O.D PIPE CAP		HDG	0.30
4	WB5014-12	5	2' x 3" x 12 GA GRIP STRUT	12'	G90 HDG	133.21
5	SFW-716G	20	1/4" PLATE		HDG	0.18
6	27-5190-005	20	GALV. 3/8" x 8" J-BOLT W/ 3/4" SPACING			0.31
7	27-5020-005	20	3/8 HDG LOCK WASHER			0.01
8	27-5030-005	20	3/8" HDG HEX NUT			0.02
9	27-6090-005	8	GALV. 1/2" x 3 5/8" x 5" U-BOLT ASSEMBLY			0.90

THIS DESIGN AND INFORMATION CONTAINED ON THIS PRINT IS THE PROPERTY OF VALLEY FAB CORPORATION. ANY REPRODUCTION, DUPLICATION OR TRANSFER OF THE PROPRIETARY CONTENT IS PROHIBITED WITHOUT WRITTEN PERMISSION.

**STANDARD TOLERANCES:**  
(UNLESS OTHERWISE NOTED)  
FRACTIONS - 1/16"  
DECIMALS - 0.01"  
ANGLES - 0.5°

**NEWAVE**  
TOWER COMPONENTS, 503-792-3739  
10910 PORTLAND RD. BROOKS, OR 97305

TOTAL WT: 1221.9 LB  
QTY:  
FINISH:  
JOB #:

TITLE: ICE CANOPY 10' x 12' W/ 13'-4" DIRECT BURIAL POSTS

SERIES: ICE CANOPY SHEET: 1 OF 1

DRAWN BY: WJ DATE: 9/25/2019 CHK'D BY: KY

DRAWING NO. IC1012-DB134