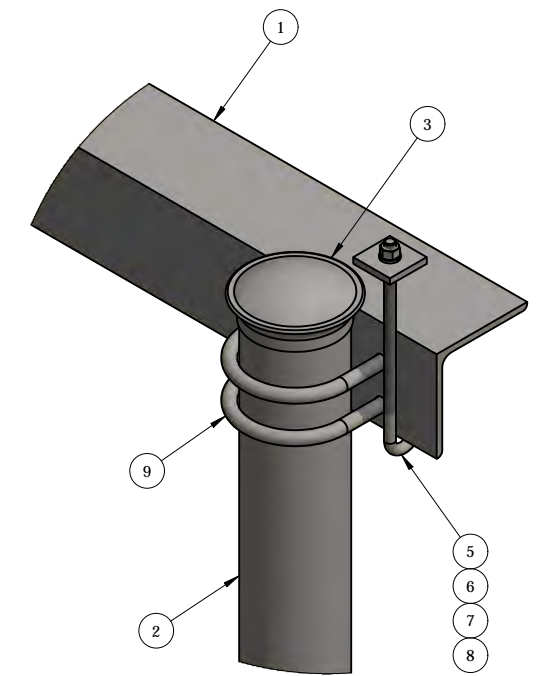


SIDE VIEW



DETAIL A

ITEM	PART #	QTY	DESCRIPTION	LENGTH	FINISH	UNIT WT
1	IC6.01	2	14x4x1/4"	6'	HDG	39.74
2	P35-160	4	3" STD PIPE	13'-4"	HDG	101.12
3	PC35	4	3-1/2" O.D PIPE CAP		HDG	0.30
4	WB5014-10	3	2' x 3" x 12 GA GRIP STRUT	10'	G90	111.02
5	SFW-716G	12	1/4" PLATE		HDG	0.18
6	27-5190-005	12	GALV. 3/8" x 8" J-BOLT W/ 3/4" SPACING			0.31
7	27-5020-005	12	3/8 HDG LOCK WASHER			0.01
8	27-5030-005	12	3/8" HDG HEX NUT			0.02
9	27-6090-005	8	GALV. 1/2" x 3 5/8" x 5" U-BOLT ASSEMBLY			0.90

THIS DESIGN AND INFORMATION CONTAINED ON THIS PRINT IS THE PROPERTY OF VALLEY FAB CORPORATION. ANY REPRODUCTION, DUPLICATION OR TRANSFER OF THE PROPRIETARY CONTENT IS PROHIBITED WITHOUT WRITTEN PERMISSION.

STANDARD TOLERANCES:
 (UNLESS OTHERWISE NOTED)
 FRACTIONS - 1/16"
 DECIMALS - 0.01"
 ANGLES - 0.5°

NEWAVE
 TOWER COMPONENTS, 503-792-3739
 10910 PORTLAND RD. BROOKS, OR 97305

TOTAL WT: 831.65 LB
 QTY:
 FINISH:
 JOB #:

TITLE:	ICE CANOPY 6' x 10' W/ 13'-4" DIRECT BURIAL POSTS	DRAWN BY:	WJ	DATE:	9/26/2019	CHK'D BY:	KY
SERIES:	ICE CANOPY	DRAWING NO.		IC610-DB134		SHEET: 1 OF 1	