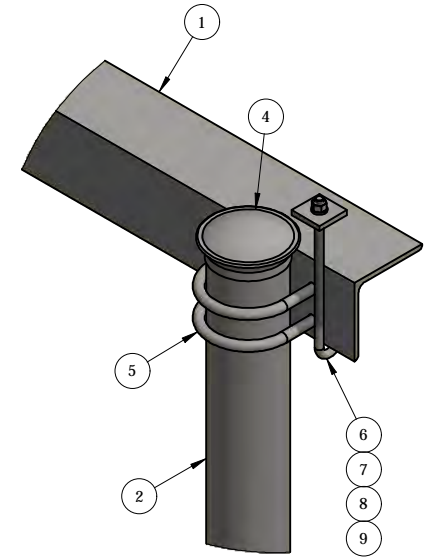


SIDE VIEW



DETAIL A

ITEM	PART #	QTY	DESCRIPTION	LENGTH	FINISH	UNIT WT
1	IC6.01	2	L4x4x1/4"	6'	HDG	39.74
2	BSP104H	4	4-HOLE BASE SHOE POST x 10'-6"		HDG	87.98
3	WB5014-12	3	2' x 3" x 12 GA GRIP STRUT	12'	G90 HDG	133.21
4	PC35	4	3-1/2" O.D PIPE CAP		HDG	0.30
5	27-6090-005	8	GALV. 1/2" x 3 5/8" x 5" U-BOLT ASSEMBLY			0.90
6	27-5190-005	12	GALV. 3/8" x 8" J-BOLT W/ 3/4" SPACING			0.31
7	SFW-716G	12	1/4" PLATE		HDG	0.18
8	27-5020-005	12	3/8 HDG LOCK WASHER			0.01
9	27-5030-005	12	3/8" HDG HEX NUT			0.02

THIS DESIGN AND INFORMATION CONTAINED ON THIS PRINT IS THE PROPERTY OF VALLEY FAB CORPORATION. ANY REPRODUCTION, DUPLICATION OR TRANSFER OF THE PROPRIETARY CONTENT IS PROHIBITED WITHOUT WRITTEN PERMISSION.

STANDARD TOLERANCES:
(UNLESS OTHERWISE NOTED)
FRACTIONS - 1/16"
DECIMALS - 0.01"
ANGLES - 0.5°

NEWAVE
TOWER COMPONENTS, 503-792-3739
10910 PORTLAND RD. BROOKS, OR 97305

TOTAL WT: 845.65 LB
QTY:
FINISH:
JOB #:

TITLE:	ICE CANOPY 6' x 12' W/ 10'-6' BASE SHOE POSTS, 4-HOLE	DRAWN BY:	DATE:	CHK'D BY:
SERIES:	ICE CANOPY	WJ	9/26/2019	KY
SHEET:	1 OF 1	DRAWING NO. IC612-BP104H		