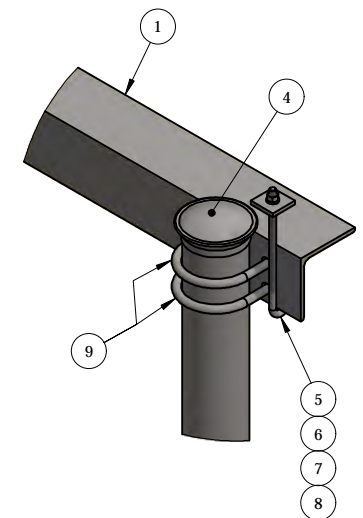
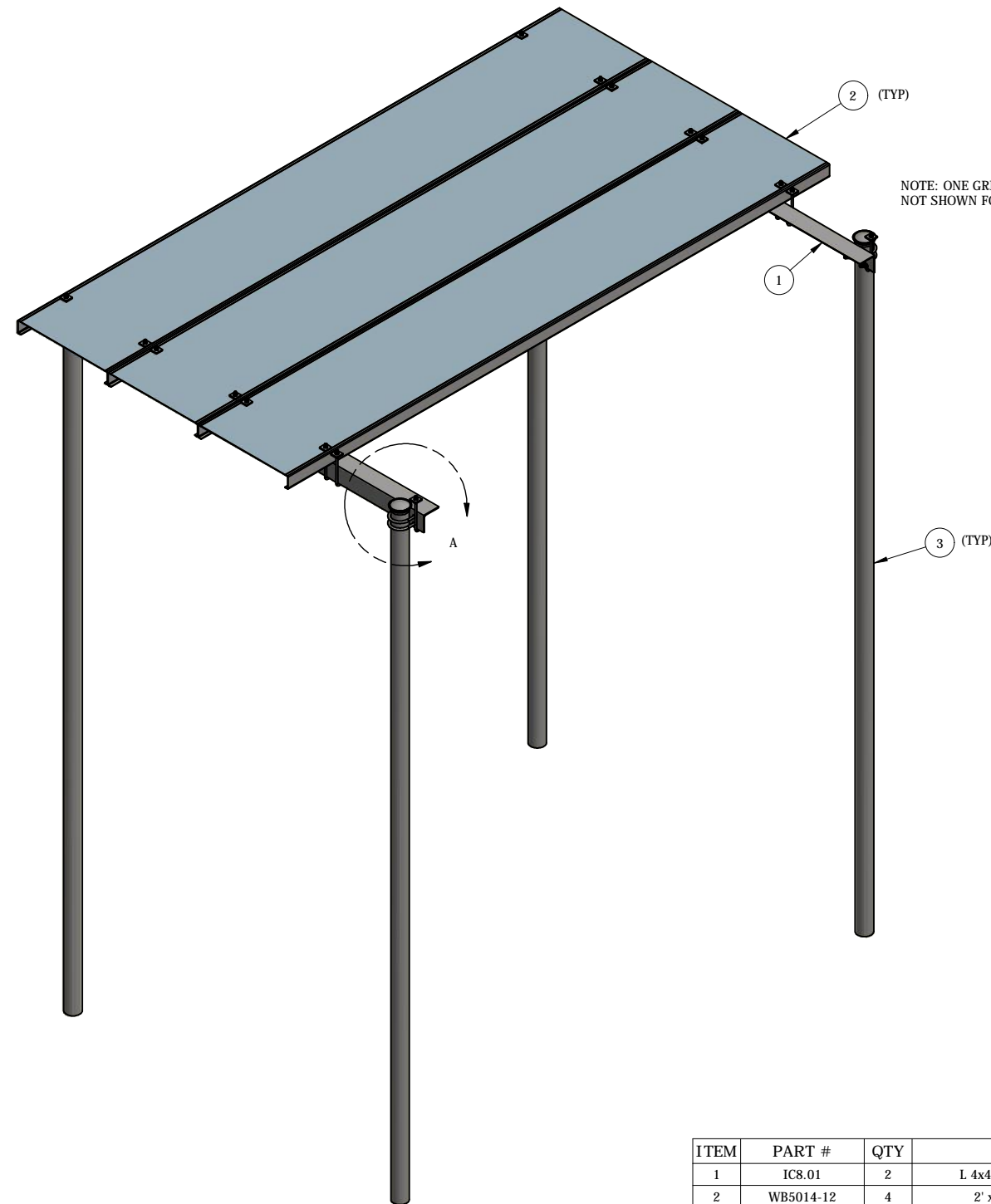


SIDE VIEW



DETAIL A

ITEM	PART #	QTY	DESCRIPTION	LENGTH	FINISH	UNIT WT
1	IC8.01	2	L 4x4x1/4" ANGLE, CUT @ 8'-0" LONG		HDG	52.89
2	WB5014-12	4	2' x 3" x 12' x 12 GA GRIP STRUT	12'	G90 HDG	132.54
3	P35-160	4	3" STD PIPE	13'-4"	HDG	101.12
4	PC35	4	3-1/2" O.D PIPE CAP		HDG	0.30
5	27-5180-005	16	GALV. 3/8" x 8" J-BOLT W/ 3/4" SPACING			0.31
6	SFW-716G	16	1/4" x 1 5/8" SQ. WASHER WITH 7/16" DIA HOLE		HDG	0.18
7	27-5020-005	16	3/8" HDG LOCK WASHER			0.01
8	27-5030-005	16	3/8" HDG HEX NUT			0.02
9	27-6090-005	8	GALV. 1/2" x 3 5/8" x 5" U-BOLT ASSEMBLY			0.74

THIS DESIGN AND INFORMATION CONTAINED ON THIS PRINT IS THE PROPERTY OF VALLEY FAB CORPORATION. ANY REPRODUCTION, DUPLICATION OR TRANSFER OF THE PROPRIETARY CONTENT IS PROHIBITED WITHOUT WRITTEN PERMISSION.

STANDARD TOLERANCES:
(UNLESS OTHERWISE NOTED)
FRACTIONS - 1/16"
DECIMALS - 0.01"
ANGLES - 0.5°

NEWAVE
TOWER COMPONENTS, 503-792-3739
10910 PORTLAND RD. BROOKS, OR 97305

TOTAL WT: 1055.75 LB
QTY:
FINISH: HDG
JOB #:

TITLE:	ICE CANOPY 8' x 12' W/ 13'-4" DIRECT BURIAL POSTS	DRAWN BY:	DATE:	CHK'D BY:
SERIES:	ICE CANOPY	KY	6/24/2019	-
SHEET:	1 OF 1	DRAWING NO. IC812-DB134		