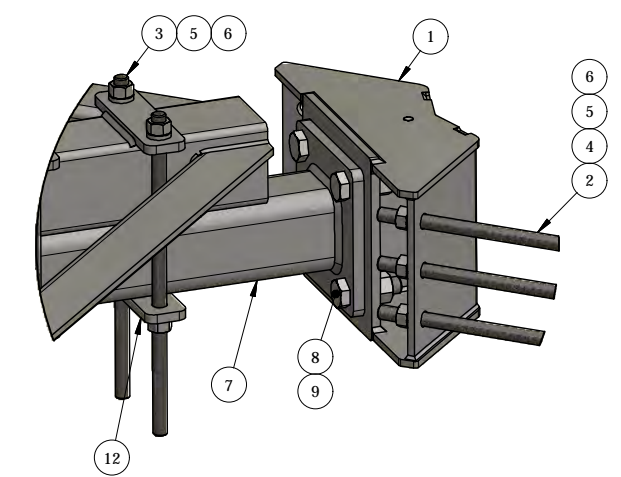
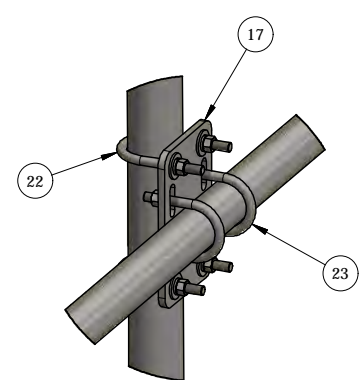




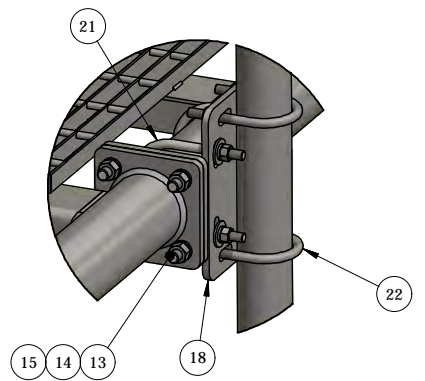
ITEM	PART #	DESCRIPTION	QTY	UNIT WT
1	MF1060-4HD.01	HEAVY DUTY 4-SECTOR 10" TO 60" O.D RING MOUNT WELDMENT	4	53.99
2	27-5588-005	GALV. 3/4" B7 ALL THREAD @ 42" LONG	12	5.26
3	27-5578-005	GALV. 3/4" B7 ALL THREAD @ 18" LONG	24	2.25
4	27-5481-005	GALV. 3/4" FLAT WASHER	24	0.09
5	27-5490-005	GALV. 3/4" LOCK WASHER	72	0.05
6	27-5501-005	GALV. 3/4" HEX NUT REGULAR	72	0.14
7	LPCP-12QHD.07	LOW PROFILE PLATFORM 4'-6" SUPPORT STAND OFF WELDMENT	4	122.02
8	27-5625-005	GALV. 7/8" x 3" A325 BOLT ASSEMBLY	16	0.80
9	27-5590-005	GALV. 7/8" F436 FLAT WASHER	16	0.09
10	LPCP-12QHD.01	LOW PROFILE QUAD PLATFORM CORNER FRAME HD WELDMENT	4	328.82
11	LPCP-12QHD.05	LOW PROFILE QUAD PLATFORM MIDDLE FRAME HD WELDMENT	4	111.23
12	LPCP.08	1/2" CLAMP PLATE	12	2.37
13	27-4404-005	GALV. 5/8" x 2-1/4" GR.5 BOLT	32	0.29
14	27-5380-005	GALV. 5/8" LOCK WASHER	32	0.03
15	27-5391-005	GALV. 5/8" HEX NUT	32	0.08
16	LPKH.05	1/2" BENT TRI-SECTOR HANDRAIL CORNER PLATE	4	23.40
17	CXP1	CROSS OVER PLATE 2-3/8" TO 3-1/2" O.D PIPE (3/8" PLATE)	16	4.81
18	CXP2	2 3/8" to 4 1/2" CROSS OVER (3/8" PLATE)	16	6.92
19	P23X-150	GALV. 2" SCH.80 PIPE A53 GR-B @ 12'-6" LONG	4	62.84
20	P278X-120	GALV. 2-1/2" SCH.80 PIPE A53 GR-B @ 10'-0" LONG	16	76.69
21	27-6110-005	GALV. 1/2" x 4-1/8" x 6" U-BOLT ASSEMBLY	32	1.04
22	27-6080-005	GALV. 1/2" x 3" x 5" GR-5 U-BOLT ASSEMBLY	64	0.89
23	27-6060-005	GALV. 1/2" x 2-1/2" x 4" GR-5 U-BOLT ASSEMBLY	48	0.76



DETAIL-A



DETAIL - C



DETAIL-B

QTY:
CHK:

STANDARD TOLERANCES:
(UNLESS OTHERWISE NOTED)

FRACTIONS	-1/16"
1 DECIMAL	-.1"
2 DECIMAL	-.03"
3 DECIMAL	-.005"
ANGLES	-.5°

THIS DESIGN AND INFORMATION CONTAINED ON THIS PRINT IS THE PROPERTY OF NEWAVE TOWER COMPONENTS LLC. ANY REPRODUCTION, DUPLICATION OR TRANSFER OF THE PROPRIETARY CONTENT IS PROHIBITED WITHOUT WRITTEN PERMISSION.

NEWAVE
Tower Components. 503-792-3739
10910 PORTLAND RD. BROOKS, OR 97305

MATERIAL:	AS SHOWN
GRADE:	DRAWN BY: KY
FINISH:	CHECKED BY: CJW
	HDG

TITLE: 4-SECTOR LOW PROFILE PLATFORM (HD) 12'-6" FACE, FITS 10" TO 60" O.D POLE	
SERIES: MONOPOLE MOUNTING	DRAWING NO. LPCP-12QHD-25X10HK
DATE: 7/19/2016	PART WT (BARE): 4546 LB

*INCLUDES HD HANDRAIL KIT AND 2 1/2" XS PIPE x 10' LONG